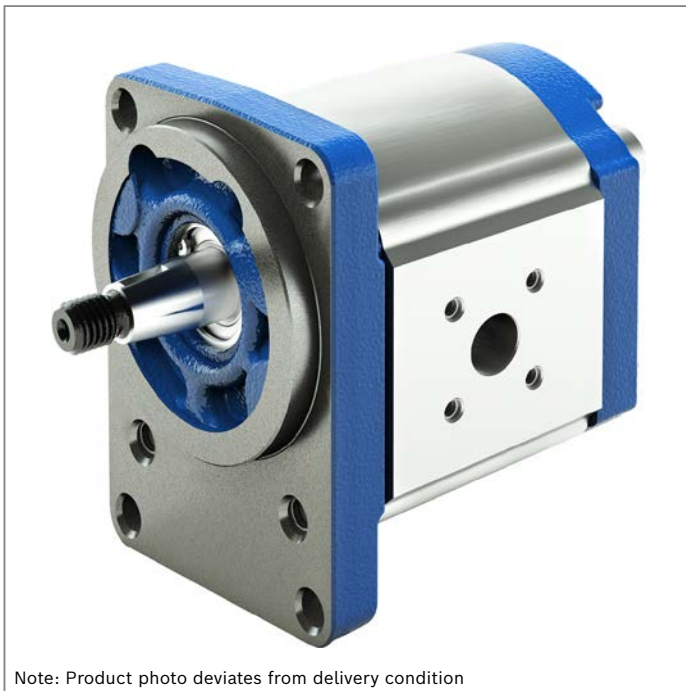


External gear pump High Performance AZPF



Note: Product photo deviates from delivery condition

- ▶ Platform F
- ▶ Fixed displacement
- ▶ Size 4 ... 28
- ▶ Continuous pressure up to 250 bar
- ▶ Intermittent pressure up to 280 bar

Features

- ▶ Consistent high quality based on large-volume production
- ▶ Long service life
- ▶ Slide bearings for high loads
- ▶ Drive shafts according to ISO or SAE and customer-specific solutions
- ▶ Line ports: connection flange or screw thread
- ▶ Combination of several pumps possible

Contents

Product description	2
Type codes	5
Technical data	9
Diagrams/characteristic curves	18
Dimensions	24
Project planning information	71
Information	72
Accessories	73

Product description

General information

It is the central task of external gear pumps to convert mechanical energy (torque and speed) into hydraulic energy (flow and pressure). To reduce heat losses, Rexroth's external gear units offer very high efficiencies. They are realized by pressure-dependent gap sealing and highly precise production technology.

Rexroth external gear pumps are built in four frame sizes:

Platform B, F, N and G. Within each platform different displacements can be realized by different gear widths. The pumps are available in the versions Standard, High-Performance, SILENCE und SILENCE PLUS. Further configuration variants are given by different flanges, shafts, valve arrangements and multiple pump combinations.

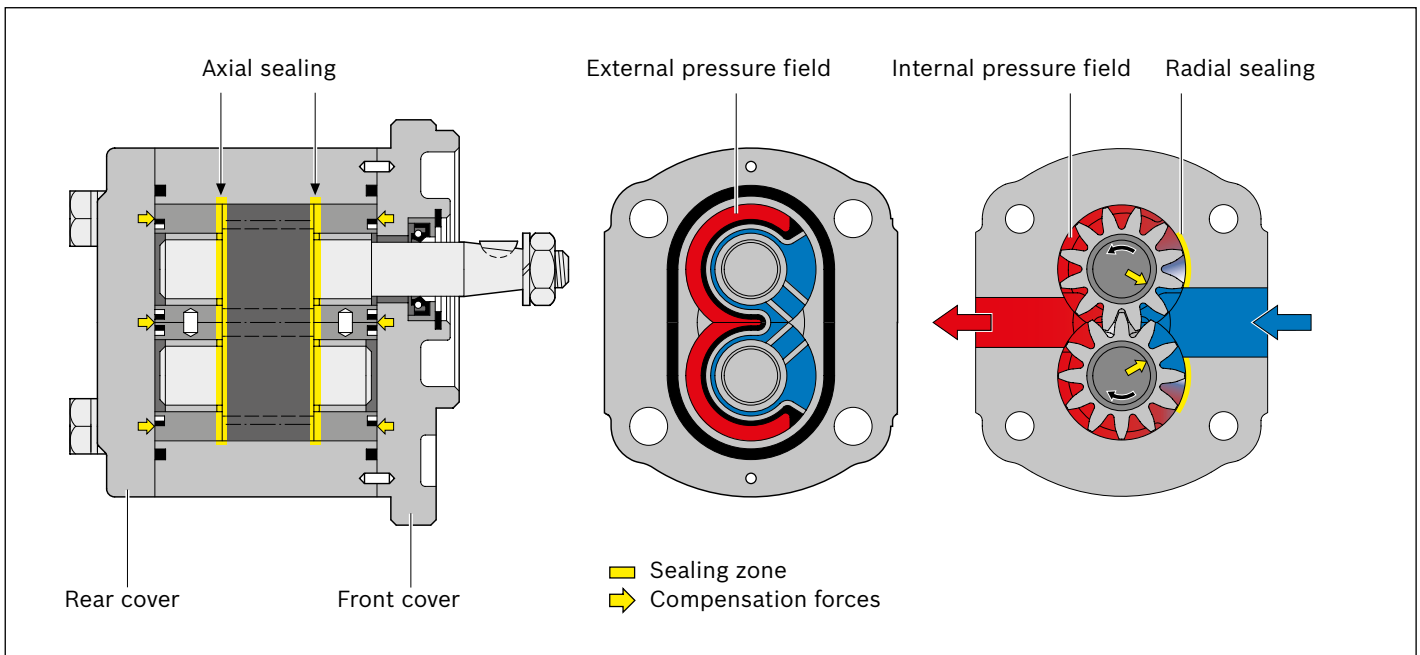
Construction

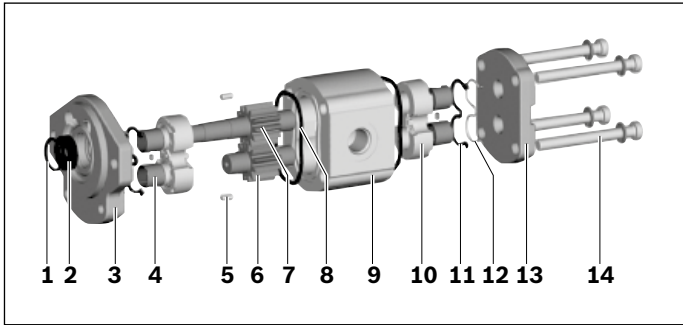
The external gear pump consists essentially of a pair of gear wheels supported in bearing bushes and the housing with a front and a rear cover.

The drive shaft protrudes from the front cover where it is usually sealed by the shaft seal ring. The bearing forces are absorbed by slide bearings. These are designed for high pressures and have excellent dry-running qualities, especially at low rotational speeds. The gear wheels have 12 teeth. This keeps both flow pulsation and noise emission to a minimum.

The internal sealing of the pressure chambers is achieved by operating pressure-dependent forces. This ensures optimum efficiency. On the outer face, the movable bearing bushes are pressurized with operating pressure and pressed as seals against the gear wheels. Special seals form the boundary of the pressurized zone. The radial sealing at the tips of the gear teeth against the case is provided by smallest possible gaps that are formed pressure-dependent between the gear wheels and the housing.

External gear pump layout

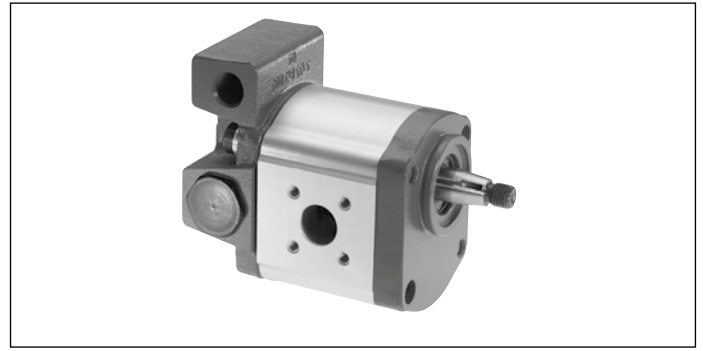




- | | | | |
|----------|----------------|-----------|--------------------|
| 1 | Snap ring | 8 | Housing seal ring |
| 2 | Shaft seal | 9 | Pump housing |
| 3 | Front cover | 10 | Bearing bushing |
| 4 | Slide bearings | 11 | Axial field seal |
| 5 | Centering pin | 12 | Supporting element |
| 6 | Gear wheel | 13 | Rear cover |
| 7 | Drive shaft | 14 | Torx screws |

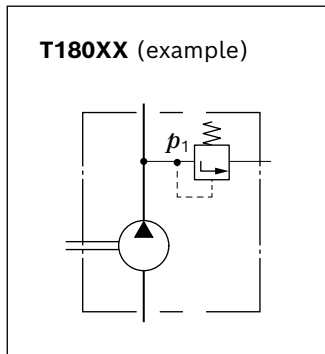
Gear pumps with integrated valves

In order to reduce piping complexity, a flow control valve or pressure-relief valve can be integrated in the cover of the gear pump. Such solutions are used, for instance, for the hydraulic oil supply of power steering systems. The pump delivers a constant flow or maximum pressure irrespective of the rotational speed. The residual flow is either returned internally to the suction port or distributed externally to other consumers.



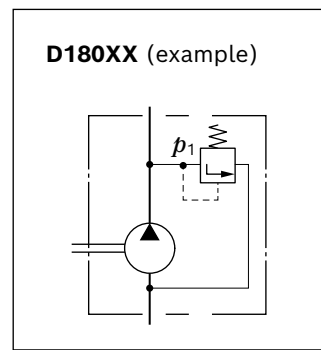
Pressure relief valve, external pressure discharge

$p_1 = 5$ to 250 bar



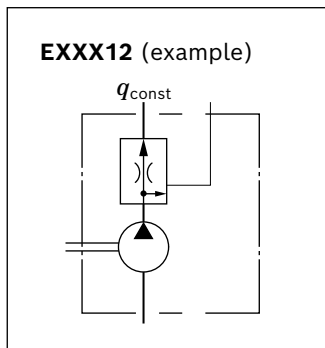
Pressure relief valve, pressure discharge into suction line

$p_1 = 5$ to 250 bar



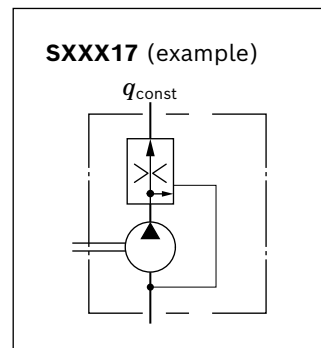
3-way flow control valve, residual flow distributed externally, loadable

$q_{const} = 2$ to 30 l/min



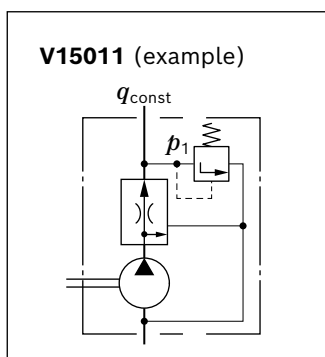
3-way flow control valve, residual flow returned in suction line

$q_{const} = 2$ to 30 l/min



3-way flow control valve with pressure relief valve, residual flow returned in suction line

$q_{const} = 2$ to 30 l/min; $p_1 = 100$ to 180 bar



Type codes

Type code single pump

01	02	03		04	05		06	07	08	09	10	11	12	13	14
AZP	F	-			-										

External gear unit

01	External gear pump	AZP
----	--------------------	------------

Series

02	High Performance, Platform F	F
----	------------------------------	----------

Unit version

03	Standard bearing	1
	Reinforced bearing	2

Version

04	Phosphated, pinned	1
	Corrosion-protected, pinned ¹⁾	2

Size (NG)

05	Geometric displacement V_g [cm ³], see "Technical data"	004	005	008	011	014	016	019	022	025	028
----	---	------------	------------	------------	------------	------------	------------	------------	------------	------------	------------

Direction of rotation

06	Viewed on drive shaft	clockwise	R
		counter-clockwise	L

Drive shaft

Suitable front cover

07	Tapered shaft	1 : 5	B, P, N	C
		1 : 5	A, G	S
		1 : 8	O	H
	Tang drive		M, L, T	N
	Splined shaft	SAE J744 16-4 9T	R, C	R
		SAE J744 19-4 11T	R, C	P
		DIN 5482 B17 × 14	B, P, N, O	F
	Parallel keyed shaft	SAE J744 16-1 A	R	Q
		ISO Ø18 mm	B	A

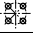

Front cover

08	Rectangular flange	Ø80 mm		B
		Ø36.47 mm		O
	2-bolt flange	Ø82.55 mm	SAE J744 82-2 A	R
		Ø101.6 mm	SAE J744 101-2 B	C
	2-bolt mounting	Ø52 mm	with seal ring	M
		Ø52 mm	compressor port	L
		Ø50 mm	connection variant 1	P
		Ø50 mm	connection variant 2	N
	4-bolt mounting	Ø52 mm	with seal ring	T
	Outrigger bearing	Ø80 mm	type 1	A
			type 2	G

¹⁾ Corrosion-protected version, details see "Technical data"

6 **AZPF** | External gear pump High Performance
Type codes

01	02	03	04	05	06	07	08	09	10	11	12	13	14
AZP	F	-											

Line connection		004	005	008	011	014	016	019	022	025	028	
09	Pipe thread according to ISO 228-1	•	•	•	•	•	•	•	•	•	•	01
	Metric thread according to ISO 6149, O-ring	•	•	•	•	•	•	•	•	•	•	50
	UN-thread according to ISO 11926-1 / ASME B 1.1, O-ring	•	•	•	•	•	•	•	•	•	•	12
	Square flange 	•	•	•	•	•	•	•	•	•	•	20
	Square flange 	•	•	•	•	•	•	•	•	•	•	30

Sealing material		
10	NBR (nitrile rubber)	M
	FKM (fluoroelastomer)	P
	NBR (nitrile rubber), shaft seal in FKM (fluoroelastomer)	K

Rear cover			
11	Without valve (standard)	B	
	With pressure relief valve Pressure discharge	external	T
		internal	D
	With flow control valve Residual flow	external	E
		internal	S
With flow control valve and pressure relief valve	V		

Valve setting pressure relief valve (parameter only required for rear cover with pressure relief valve)		
12	Without pressure relief valve	XXX
	Cracking pressure in bar, 3-digit, e.g. 180 bar	180

Valve setting flow control valve (parameter only required for rear cover with flow control valve)		
13	Without flow control valve	XX
	Flow in l/min, 2-digit, e.g. 9 l/min	09

Special version		
14	Special version ¹⁾	SXXXX

• = Available - = Not Available

¹⁾ or further information on special versions, please contact us.

Note

- ▶ Not all of the variants according to the type code are possible.
- ▶ Please select the desired pump with the help of the selection table (preferred types) or after consultation with Bosch Rexroth.
- ▶ Special options are available on request.

Type code multiple pump

01	02	03	04	05	06	07	08	09	10	11	12
AZP		-			-						

External gear unit

01	External gear pump	AZP
----	--------------------	------------

Series¹⁾

02	High Performance	1.0 to 7.1 cm ³ /U	Data sheet 10088	B
		4.0 to 28 cm ³ /U	Data sheet 10089	F
		20.0 to 36 cm ³ /U	Data sheet 10091	N
		22.5 to 100 cm ³ /U	Data sheet 10093	G
	SILENCE	4.0 to 28 cm ³ /U	Data sheet 10095	S
		20.0 to 36 cm ³ /U	Data sheet 10092	T
		22.5 to 63 cm ³ /U	Data sheet 10098	U
	SILENCE PLUS	12.0 to 28 cm ³ /U	Data sheet 10094	J

Unit version (according to data sheet of pump stage 1)

03	Standard bearing	1
	Reinforced bearing	2

Version (according to data sheet of pump stage 1)

04	Phosphated, pinned	1
	Corrosion-protected, pinned	2

Size (NG)²⁾

05	In accordance with data sheet for the individual series	
----	---	--

Direction of rotation

06	Viewed on drive shaft	clockwise	R
		counter-clockwise	L

Drive shaft (relates to pump stage 1)

07	In accordance with data sheet of pump stage 1	
----	---	--

Front cover (relates to pump stage 1)

08	In accordance with data sheet of pump stage 1	
----	---	--

Line connection (per pump stage)³⁾

09	In accordance with data sheet for the individual series	
----	---	--

Sealing material

10	NBR (nitrile rubber)	M
	FKM (fluoroelastomer)	P
	NBR (nitrile rubber), shaft seal in FKM (fluoroelastomer)	K

Rear cover (relates to last pump stage)

11	In accordance with data sheet of the last pump stage	
----	--	--

Special version

12	Special version	SXXXX
----	-----------------	--------------

¹⁾ A letter is to be selected for each pump stage, e.g. 3-way pump AZPJ + AZPJ + AZPB: **JJB**

²⁾ A numerical value is to be selected for each pump stage, e.g. 3-way pump **028/016/2.0**

³⁾ A numerical value is to be selected for each pump stage, e.g. 3-way pump **202020**

8 **AZPF** | External gear pump High Performance
Type codes

Note

- ▶ Not all of the variants according to the type code are possible.
- ▶ Please select the desired pump with the help of the selection table (preferred types) or after consultation with Bosch Rexroth.
- ▶ Special options are available on request.

Example 4-way pump:

AZPG...032... + AZPG...022... + AZPJ...016... + AZPJ...012...

01	02	03	04	05	06	07	08	09	10	11		
AZP	GGJJ	-	2	2	-	032/022/016/012	R	C	B	20202020	K	B

Technical data

Table of values

Size			4	5	8	11	14	16	19	22	
Series			Series 1x								
Displacement geometric, per revolution	V_g	cm ³	4	5,5	8	11	14	16	19	22,5	
Pressure at suction port S ¹⁾	absolute	p_e	0,7 ... 3								
Maximum continuous pressure		p_1	bar	250	250	250	250	250	250	210	180
Maximum intermittent pressure ²⁾		p_2	bar	280	280	280	280	280	280	230	210
Maximum pressure peaks		p_3	bar	300	300	300	300	300	300	250	230
Minimum speed at	$v = 12 \text{ mm}^2/\text{s}$	$p < 100 \text{ bar}$	n_{\min}	rpm	600	500	500	500	500	500	500
		$p = 100 \text{ bar} \dots 180 \text{ bar}$	n_{\min}	rpm	1200	1200	1000	1000	800	800	800
	$v = 25 \text{ mm}^2/\text{s}$	$p = 180 \text{ bar} \dots p_2$	n_{\min}	rpm	1400	1400	1400	1200	1000	1000	1000
		at p_2	n_{\min}	rpm	700	700	700	600	500	500	500
Maximum speed		at p_2	n_{\max}	rpm	4000	4000	4000	3500	3000	3000	2500

Size			4	5	8	11	14	16	19	22	
Series			Series 2x								
Displacement geometric, per revolution	V_g	cm ³	4	5,5	8	11	14	16	19	22,5	
Pressure at suction port S ¹⁾	absolute	p_e	0,7 ... 3								
Maximum continuous pressure		p_1	bar	250	250	250	250	250	250	220	
Maximum intermittent pressure ²⁾		p_2	bar	280	280	280	280	280	280	250	
Maximum pressure peaks		p_3	bar	300	300	300	300	300	300	290	
Minimum speed at	$v = 12 \text{ mm}^2/\text{s}$	$p < 100 \text{ bar}$	n_{\min}	rpm	600	500	500	500	500	500	500
		$p = 100 \text{ bar} \dots 180 \text{ bar}$	n_{\min}	rpm	1200	1200	1000	1000	800	800	800
	$v = 25 \text{ mm}^2/\text{s}$	$p = 180 \text{ bar} \dots p_2$	n_{\min}	rpm	1400	1400	1400	1200	1000	1000	1000
		at p_2	n_{\min}	rpm	700	700	700	600	500	500	500
Maximum speed		at p_2	n_{\max}	rpm	4000	4000	4000	3500	3000	3000	3500

Size			25	28		
Series			Series 2x			
Displacement geometric, per revolution	V_g	cm ³	25	28		
Pressure at suction port S ¹⁾	absolute	p_e	0,7 ... 3			
Maximum continuous pressure		p_1	bar	195	170	
Maximum intermittent pressure ²⁾		p_2	bar	225	200	
Maximum pressure peaks		p_3	bar	265	240	
Minimum speed at	$v = 12 \text{ mm}^2/\text{s}$	$p < 100 \text{ bar}$	n_{\min}	rpm	500	500
		$p = 100 \text{ bar} \dots 180 \text{ bar}$	n_{\min}	rpm	800	800
	$v = 25 \text{ mm}^2/\text{s}$	$p = 180 \text{ bar} \dots p_2$	n_{\min}	rpm	1000	1000
		at p_2	n_{\min}	rpm	500	500
Maximum speed		at p_2	n_{\max}	rpm	3000	3000

¹⁾ In the case of tandem pumps, the suction-side pressure difference between the individual pump stages must not exceed 0.5 bar.

²⁾ Limited service life with threaded line ports and $p_2 > 210 \text{ bar}$

General technical data

Weight	m	kg	See chapter Dimensions
Installation position	No restrictions		
Mounting type	Flange or through-bolting with spigot		
Line connections	See chapter Dimensions		
Direction of rotation, viewed on drive shaft	Clockwise or counter-clockwise, the pump may only be driven in the direction indicated		
Drive shaft loading	Axial and radial forces only after consultation		
Ambient temperature range	<i>t</i>	°C	-30 to +80 with NBR seals (NBR = nitrile rubber) -20 to +110 with FKM seals (FKM = fluoroelastomer)

Corrosion protection

Version 1 (phosphated): Unit with low corrosion protection	The surface serves for protection against flash rust during transport or as priming for painting.		
Version 2 (galvanized, passivated): Unit with corrosion protection	Degree of corrosion and rust according to DIN EN ISO 9227	Test duration 96 h: no red rust	

Note

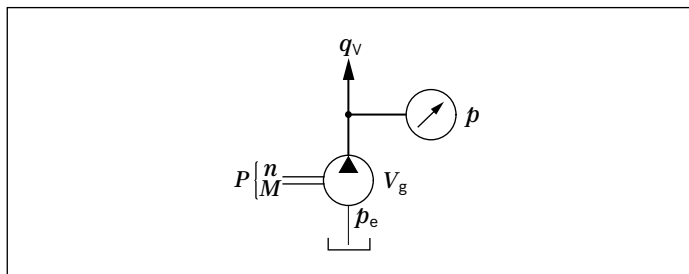
- ▶ Safety requirements pertaining to the whole systems are to be observed.
- ▶ Please contact us for applications with frequent load changes.

Determining the operating characteristics

Flow	$q_v = \frac{V_g \times n \times \eta_v}{1000}$	[l/min]
Torque	$M = \frac{V_g \times \Delta p}{20 \times \pi \times \eta_{hm}}$	[Nm]
Power	$P = \frac{2 \pi \times M \times n}{60000} = \frac{q_v \times \Delta p}{600 \times \eta_t}$	[kW]

Key

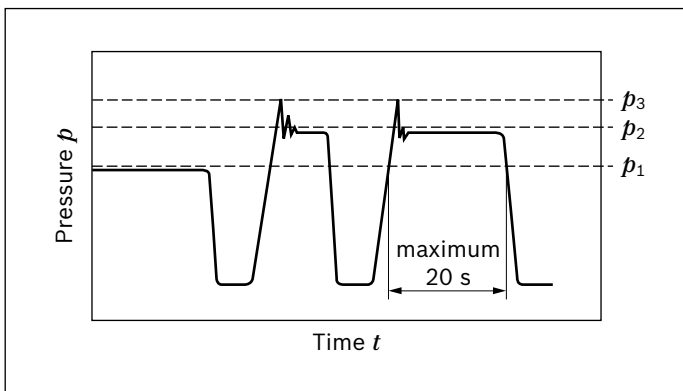
- V_g Displacement per revolution [cm³]
- Δp Differential pressure [bar]
- n Rotational speed [rpm]
- η_v Volumetric efficiency
- η_{hm} Hydraulic-mechanical efficiency
- η_t Total efficiency ($\eta_t = \eta_v \cdot \eta_{hm}$)



Note

You can find diagrams for a rough calculation in chapter "Diagrams / Characteristic curves".

Pressure definition



- p_1 : Continuous pressure max.
- p_2 : Intermittent pressure max.
- p_3 : Pressure peaks max.

Hydraulic fluids

The external gear unit is designed for operation with HLP mineral oil according to DIN 51524, 1-3. Under higher load, however, Bosch Rexroth recommends at least HLP compliant with DIN 51524 Part 2.

See the following data sheet for application instructions and requirements for selecting hydraulic fluid, behavior

Selection of hydraulic fluid

Bosch Rexroth evaluates hydraulic fluids on the basis of the Fluid Rating according to the technical data sheet 90235.

Hydraulic fluids with positive evaluation in the Fluid Rating are provided in the following technical data sheet:

during operation as well as disposal and environmental protection before you begin project planning:

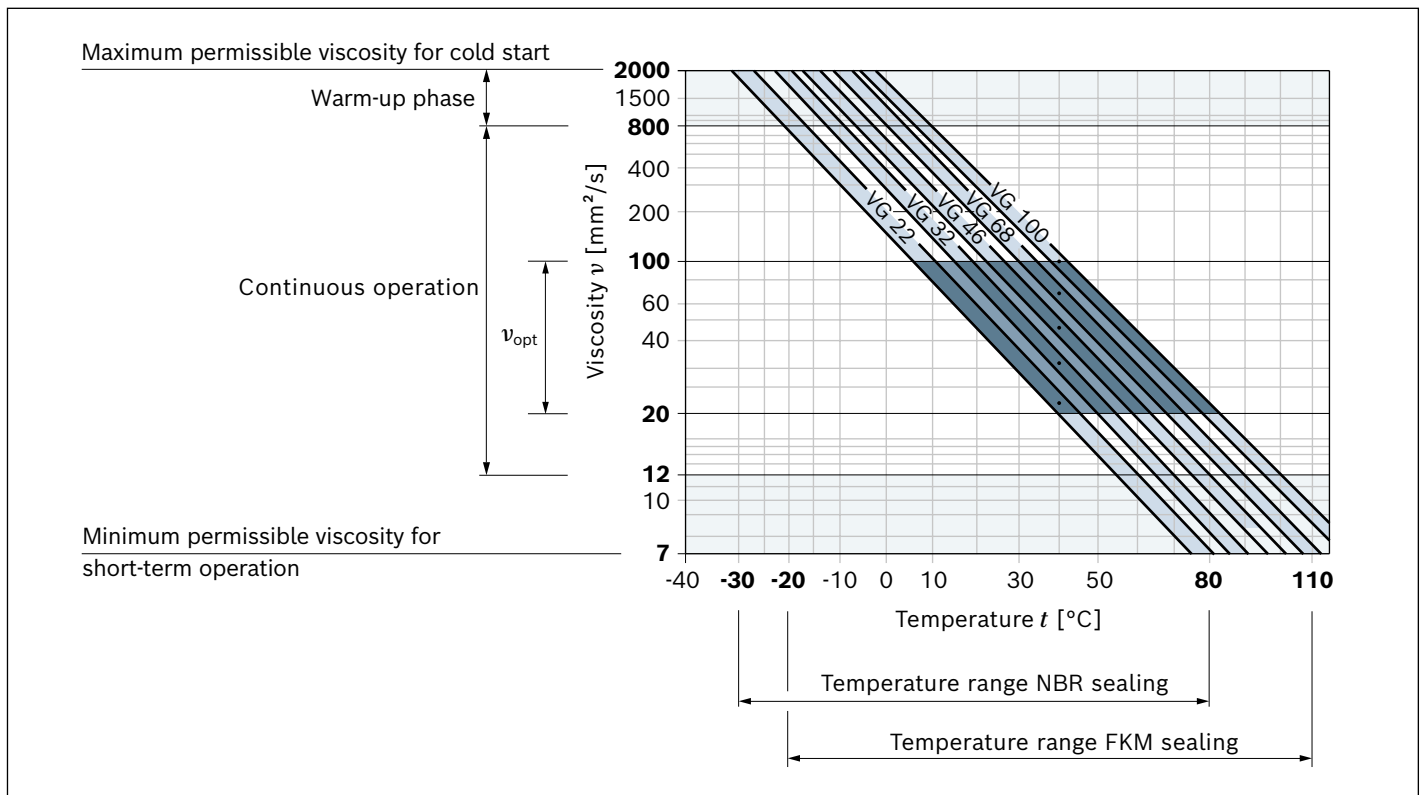
- ▶ 90220: Hydraulic fluids based on mineral oils and related hydrocarbons

Other hydraulic fluids on request.

- ▶ 90245: Bosch Rexroth Fluid Rating List for Rexroth hydraulic components (pumps and motors)
 The hydraulic fluid should be selected so that the operating viscosity in the operating temperature range is within the optimum range (v_{opt} ; see selection diagram).

Viscosity and temperature of hydraulic fluids

Viscosity range	
Permissible in continuous operation	$v = 12 \dots 800 \text{ mm}^2/\text{s}$
Recommended in continuous operation	$v_{opt} = 20 \dots 100 \text{ mm}^2/\text{s}$
Permissible for cold start	$v_{max} \leq 2000 \text{ mm}^2/\text{s}$
Temperature range	
With NBR seals (NBR = nitrile rubber)	$t = -30 \text{ °C} \dots +80 \text{ °C}$
With FKM seals (FKM = fluoroelastomer)	$t = -20 \text{ °C} \dots +110 \text{ °C}$

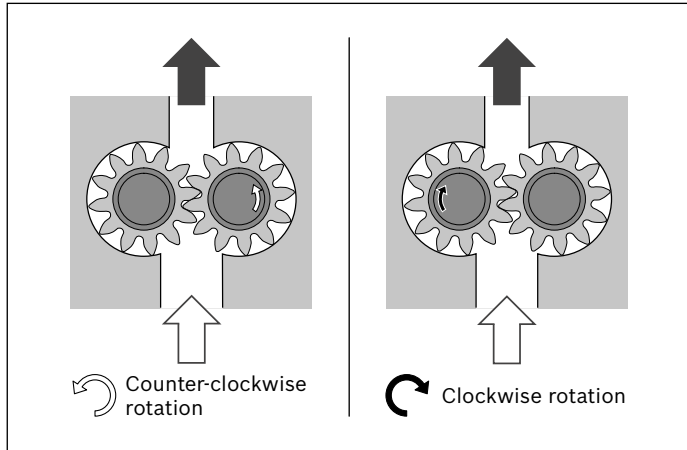


Observe the instructions for the filtration of the hydraulic fluid (see chapter Project planning information).

Direction of rotation

The dimensional drawings in the chapter Dimensions represent pumps for clockwise rotation. The position of the drive shaft or the position of suction and pressure port changes for counter-clockwise rotation.

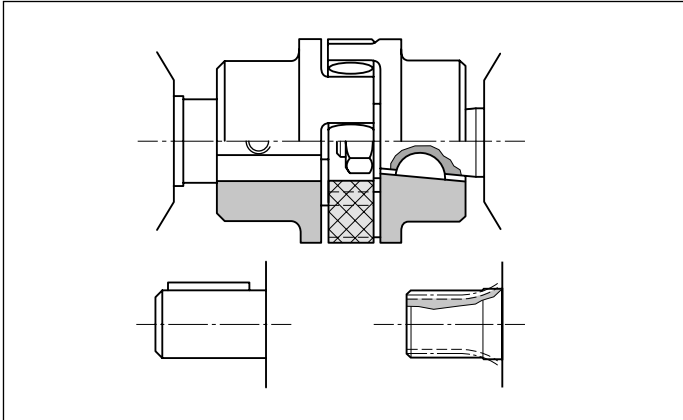
Direction of rotation, viewed on drive shaft



Drives

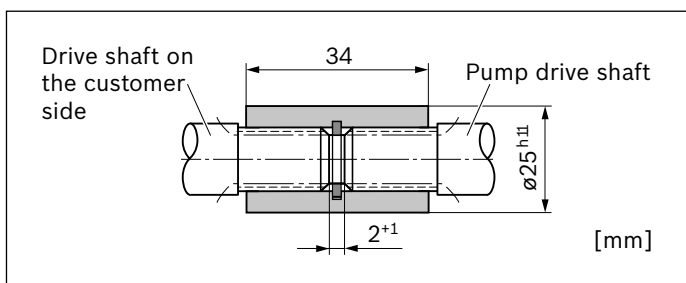
1. Elastic couplings

- ▶ The coupling must not transfer any radial and axial forces onto the pump.
- ▶ The maximum admissible radial run-out deviation from the shaft to the fitting slot is 0.2 mm.
- ▶ Admissible shaft shifting see installation information of the coupling manufacturers.



2. Coupling sleeve

- ▶ To be used on splined shaft profile according to DIN and SAE.
- ▶ Attention: No radial or axial forces are permitted on the pump shaft or coupling sleeve. The coupling sleeve must be free to move axially.
- ▶ The distance between the pump drive shaft and drive shaft on the customer side must be 2^{+1} mm.
- ▶ Provide installation space for the snap ring.
- ▶ Oil-bath or oil-mist lubrication is required.

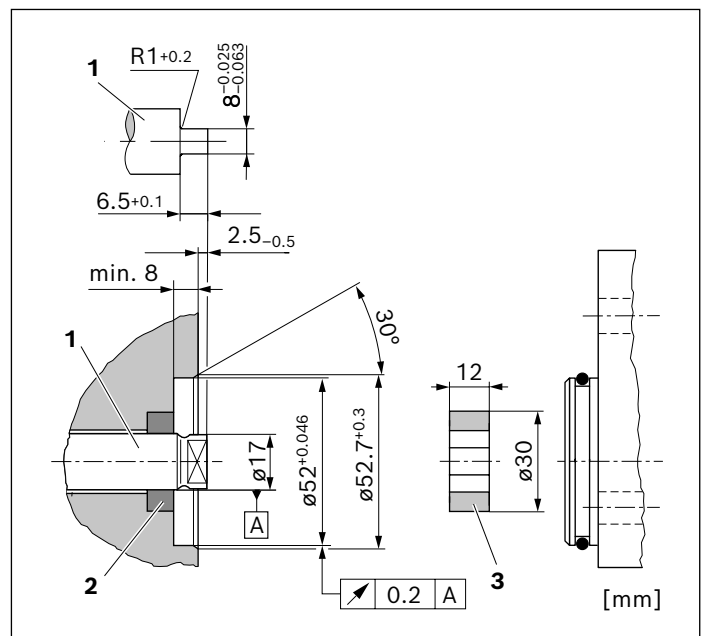


3. Tang drive coupling

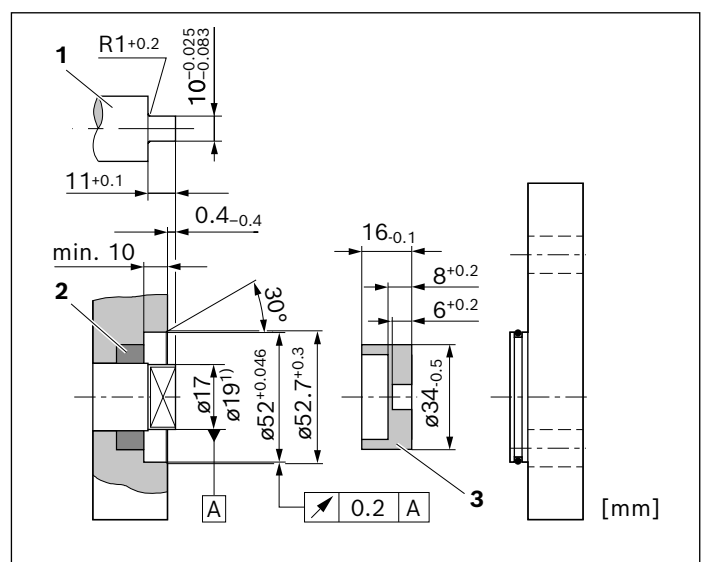
- ▶ For attaching the pump directly to an electric motor or combustion engine, gear, etc.
- ▶ The pump shaft has a special tang drive and driver (3) (scope of delivery see offer drawing)
- ▶ There is no shaft sealing
- ▶ Drive-side installation and sealing according to the following recommendations and dimensions

- ▶ Drive shaft on the customer side (1)
 - Case-hardening steel DIN EN 10084 e.g. 20MnCrS5 case-hardened 0.6 mm deep; HRC $60^{\pm 3}$
 - Seal ring running surface ground without rifling $R_t \leq 4 \mu\text{m}$
- ▶ Radial shaft seals on the customer side (2)
 - Provide with rubber cover (see DIN 3760, type AS or double-lipped ring)
 - Provide installation edge with 15° slant or install shaft seal with protection sleeve

AZPF-1x



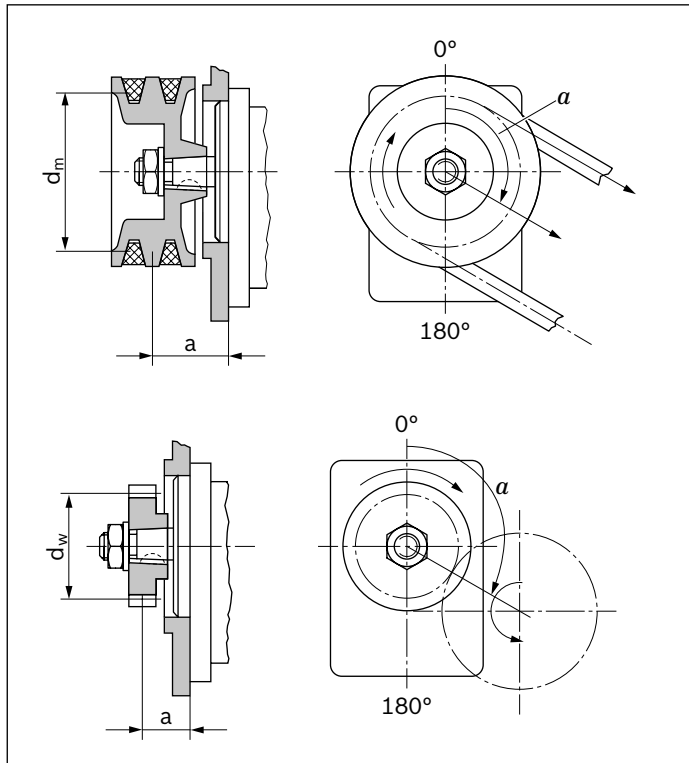
AZPF-2x



1) See offer drawing

4. V-belts and straight gear wheels or helical toothed gear drives without outrigger bearing

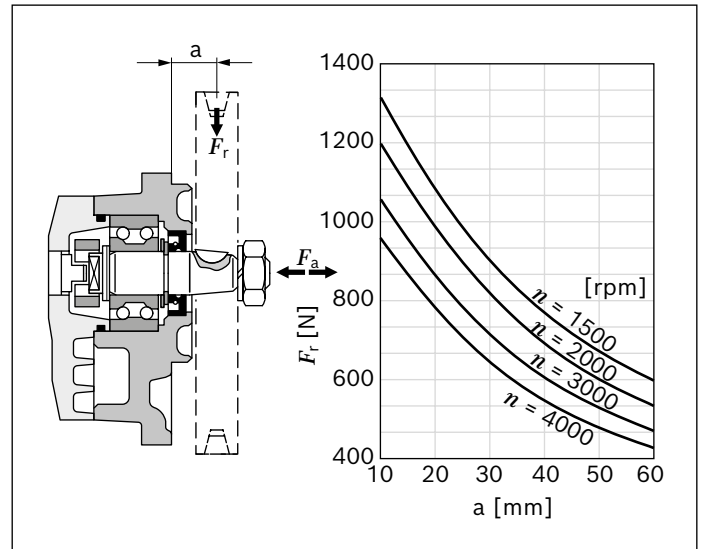
For V-belt or gear wheel drives, please contact us specifying the application and mounting conditions (dimensions a , d_m , d_w and angle α). For helical toothed gear drives, details of the helix angle β are also required.



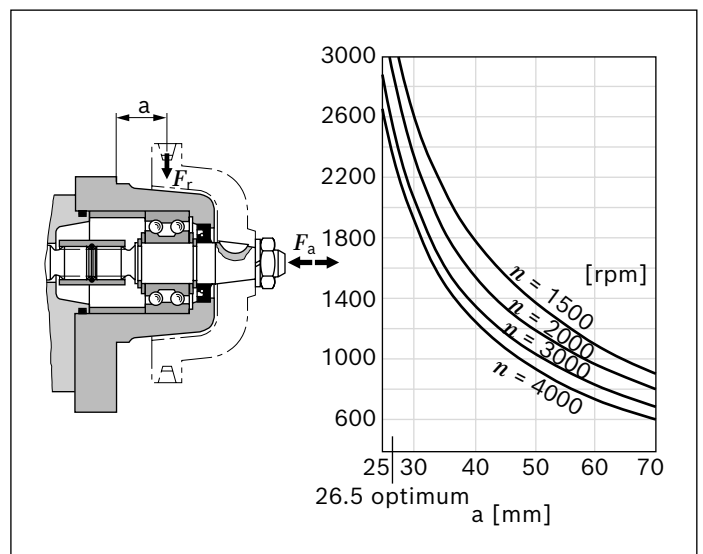
5. Outrigger bearing

Outrigger bearing are offered to eliminate possible problems when the pumps are driven by V-belts or gear wheels. The diagrams show the radial and axial load capacity in relation to a bearing service life of $L_H = 1000$ h.

Front cover A (type 1)



Front cover G (type 2)



Maximum transferable drive torques

Splined shafts

Drive shaft		M_{max}	Size	$P_{2\ max}$ Serie 1x	$P_{2\ max}$ Serie 2x
Code	Designation	Nm		bar	bar
F	DIN 5482 B17 × 14	100	4 ... 16	280	280
			19	230	
			22	210	250
			25	-	225
			28	-	200
R	SAE J744 16-4 9T	110	4 ... 16	280	280
			19	230	
			22	210	250
			25	-	225
			28	-	200
P	SAE J744 19-4 11T	180	4 ... 16	280	280
			19	230	
			22	210	250
			25	-	225
			28	-	200

Tapered shafts

Drive shaft		M_{max}	Size	$P_{2\ max}$ Serie 1x	$P_{2\ max}$ Serie 2x
Code	Type	Nm		bar	bar
C	1 : 5	155	4 ... 16	280	280
			19	230	
			22	210	250
			25	-	225
			28	-	200
H	1 : 8	160	4 ... 16	280	280
			19	230	
			22	210	250
			25	-	225
			28	-	200

Parallel keyed shafts

Drive shaft		M _{max}	Size	P _{2 max}
Code	Designation	Nm		bar
Q	SAE J744 16-1 A	55	4 ... 11	280
			14	220
			16	190
			19	160
			22	130
			25	120
			28	110
			A	ISO Ø18 mm
16	260			
19	220			
22	180			
25	160			
28	150			

Tang drive

Drive shaft		M _{max}	Size	P _{2 max} Serie 1x	P _{2 max} Serie 2x	
Code	Designation	Nm		bar	bar	
N	Tang drive	65	4 ... 11	280		
			14	260		
			16	220		
			19	190		
			22	160		
			85	4 ... 16		280
				19		250
				22		210
25		190				
28		170				

With outrigger bearing

Drive shaft	Outrigger bearing	M _{max}	Size	P _{2 max} Serie 1x	P _{2 max} Serie 2x
Code	Type (code)	Nm		bar	bar
S	Type 1 (A) (with tang drive coupling)	65	4 ... 11	280	280
			14	260	
			16	230	250
			19	190	190
			22	160	160
			25	140	140
			28	130	130
			Type 1 (A) (with sleeve)	160	4 ... 16
	19	230			
	22	210			250
	25	-			225
	28	-			200
	Type 2 (G)				4 ... 16
			19	230	
22			210	250	
25			-	225	
		28	-	200	

Multiple gear pumps

Gear pumps are well-suited to multiple arrangements, whereby the drive shaft of the first pump stage is extended to a second and possibly third pump stage. The shaft of the individual pump sections are normally connected via a driver.

In most cases, each pump stage is hydraulically isolated from its neighbor and the suction ports are separate from one another. On request a common suction port or separated but hydraulically connected suction ports are available.

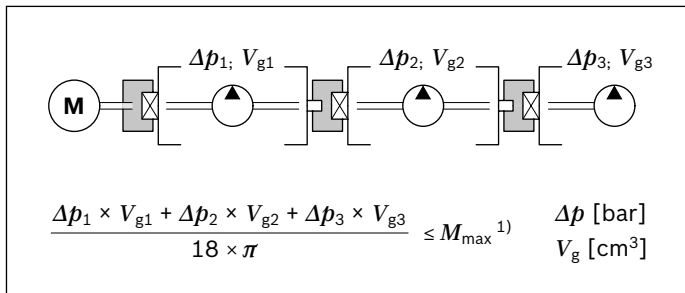
Note

Basically, the parameters of the single pumps apply, however certain restrictions need to be observed:

- ▶ **Maximum rotational speed:** This is determined by the largest pump stage used.
- ▶ **Pressures:** These are restricted by the maximum transmissible torques of the drive shaft, the through drive and the driver.

Addition of drive torques

Please note, that in multiple pump arrangements the drive torques of the single pumps stages will add up according to the following formula:



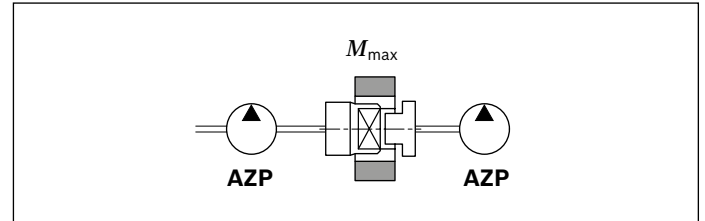
¹⁾ M_{\max} : see table above "Maximum transferable drive torques"

This may result in pressure restrictions for the respective pump stages.

Standard through drive (tang drive coupling)

In the case of AZPF pumps the driver for the following pump stage can carry a load of up to $M_{\max} = 65 \text{ Nm}$ (AZPF-1x) resp. $M_{\max} = 85 \text{ Nm}$ (AZPF-2x). Please note possibly resulting pressure restrictions for the following pump stages.

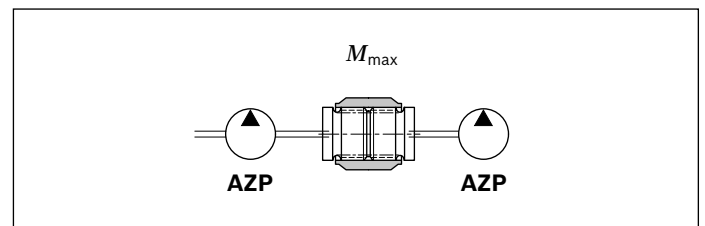
Subsequent pumps of a smaller series determine the max. transmissible torque



Following pump	M_{\max} [Nm]
AZPF-1x	65
AZPF-2x	85
Platform F	
AZPS-1x	65
AZPS-2x	85
AZPJ	65
Platform B	
AZPB-3x	25

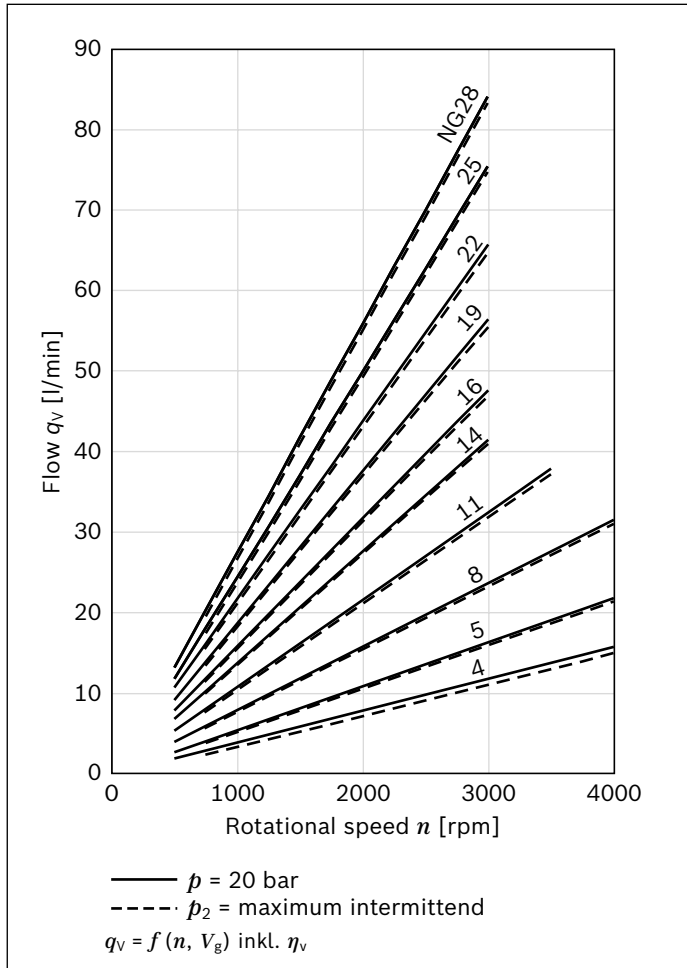
Reinforced through drives

For applications with higher transfer torques or torsional vibrations reinforced through drives up to $M_{\max} = 160 \text{ Nm}$ are available. Lay out design on request.



Diagrams/characteristic curves

Flow characteristic curves

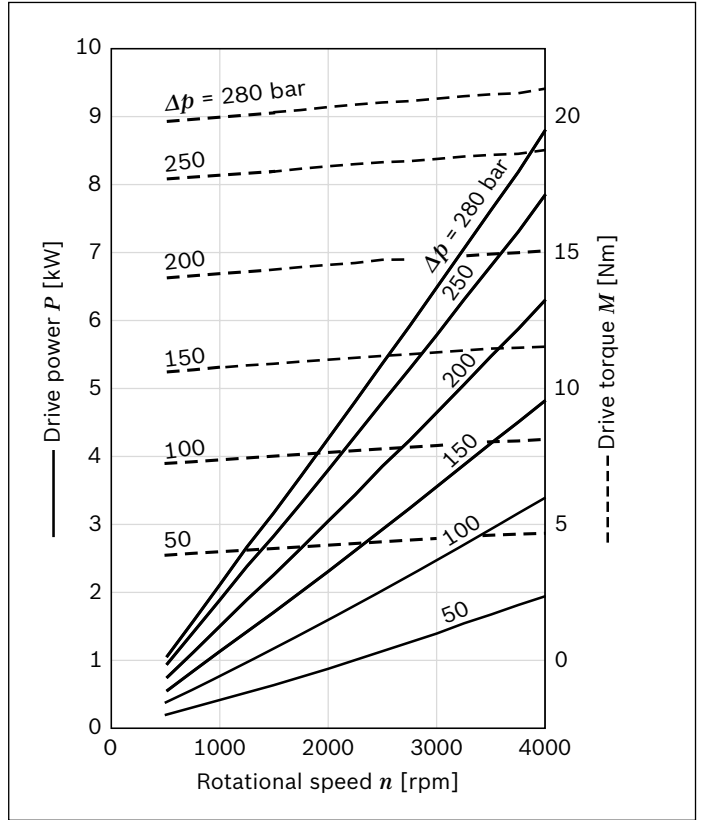


Note

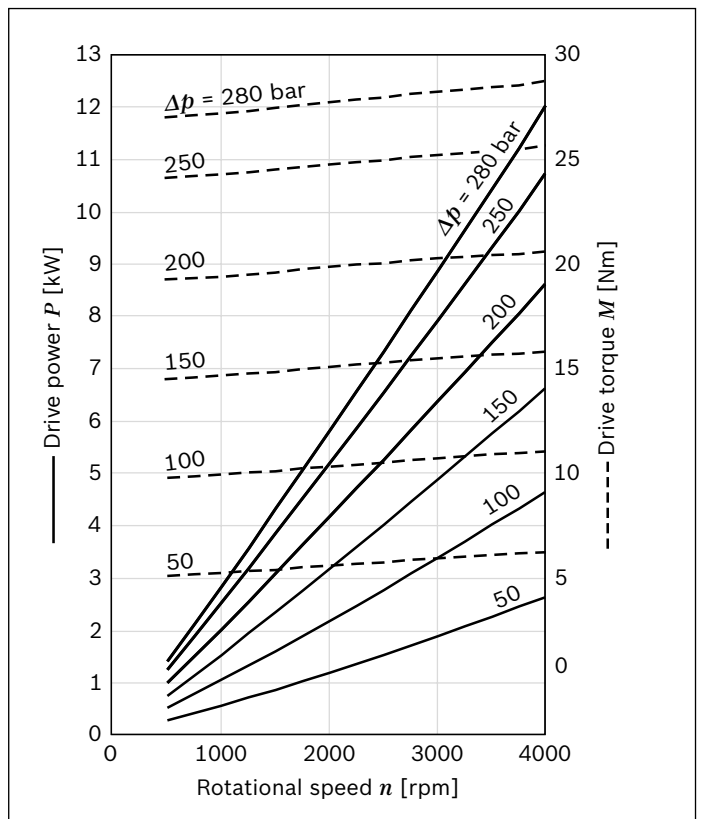
- Characteristic curves measured at $v = 32 \text{ mm}^2/\text{s}$ and $t = 50 \text{ }^\circ\text{C}$.

Power diagrams

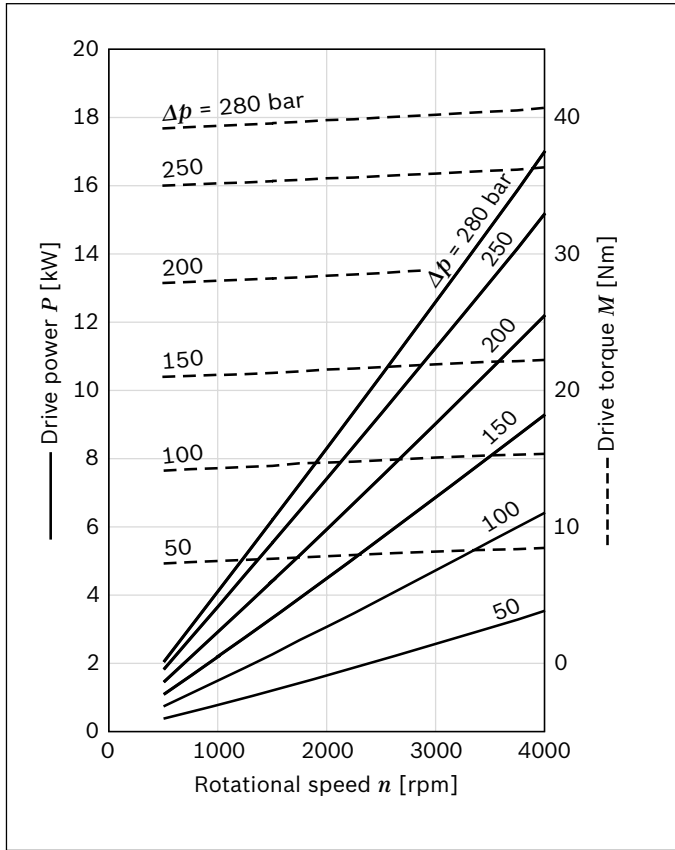
Size 4



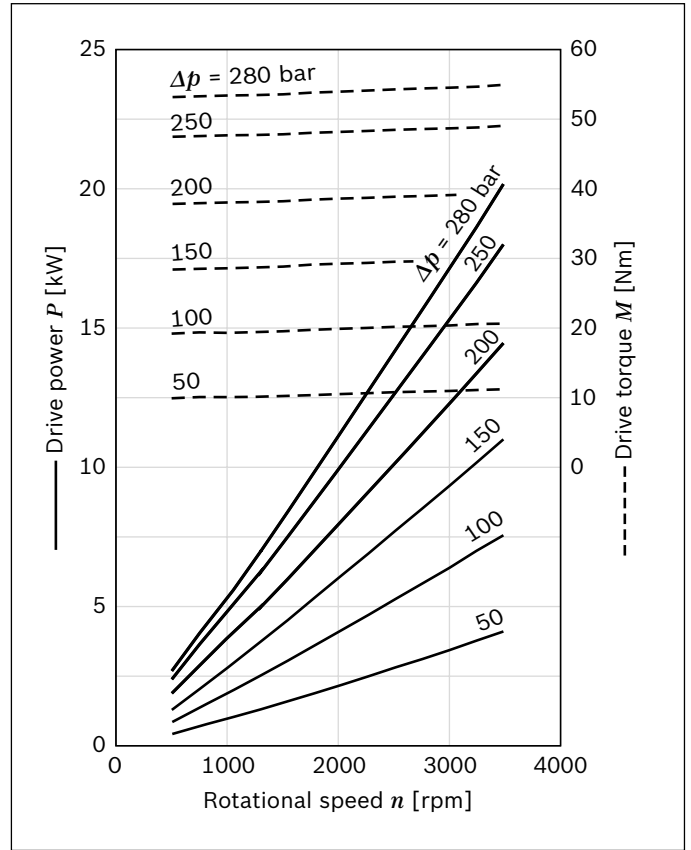
Size 5



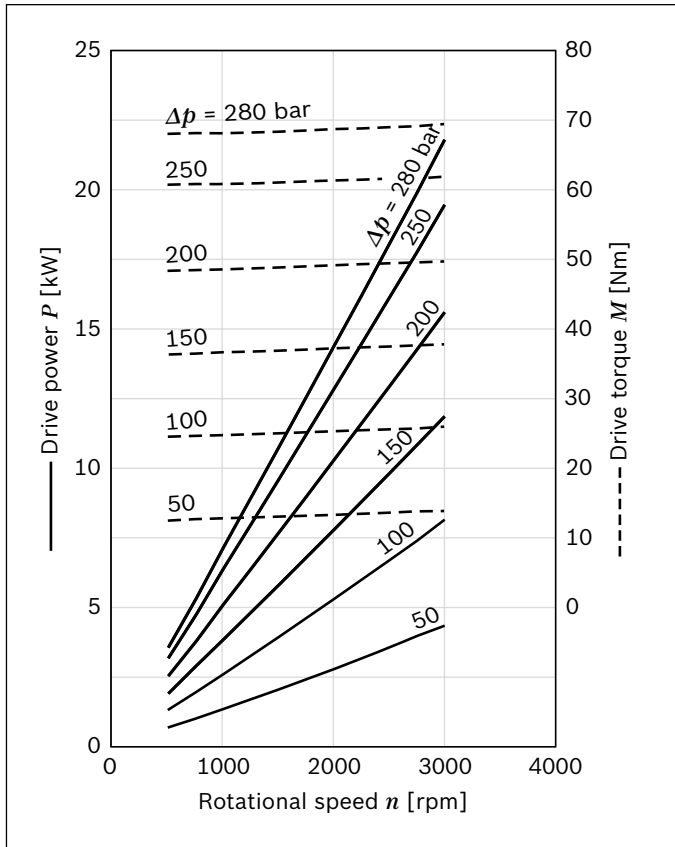
Size 8



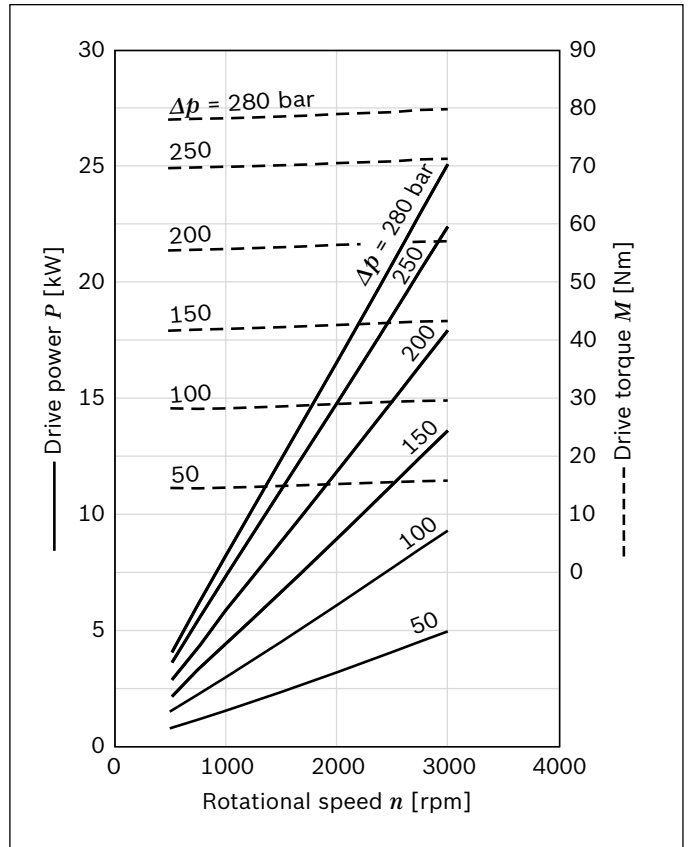
Size 11



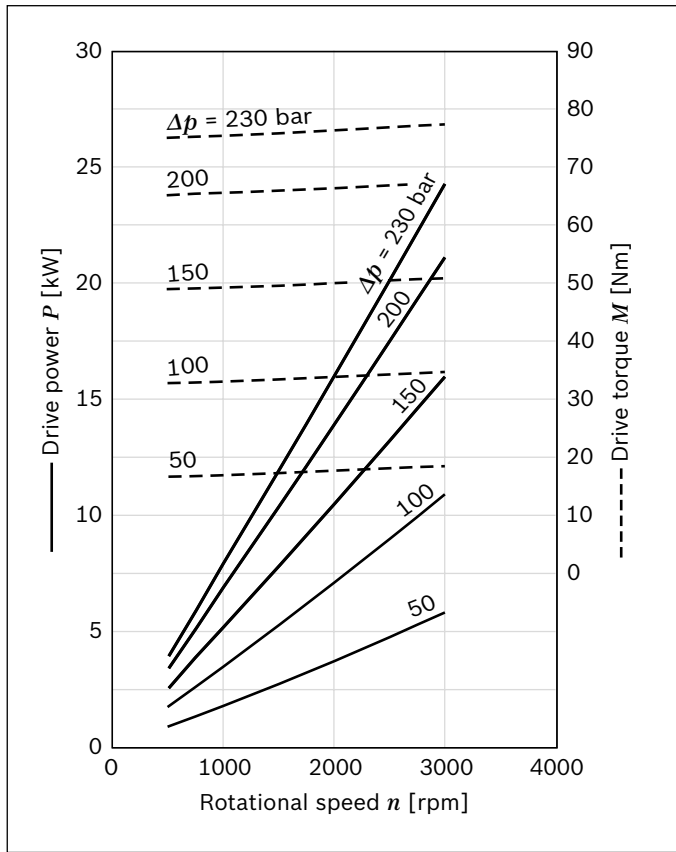
Size 14



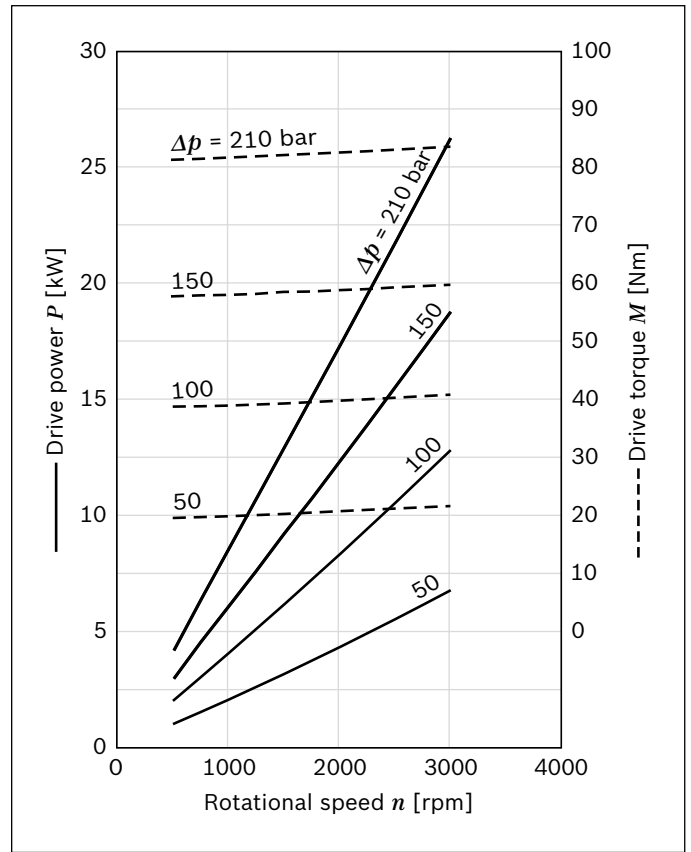
Size 16



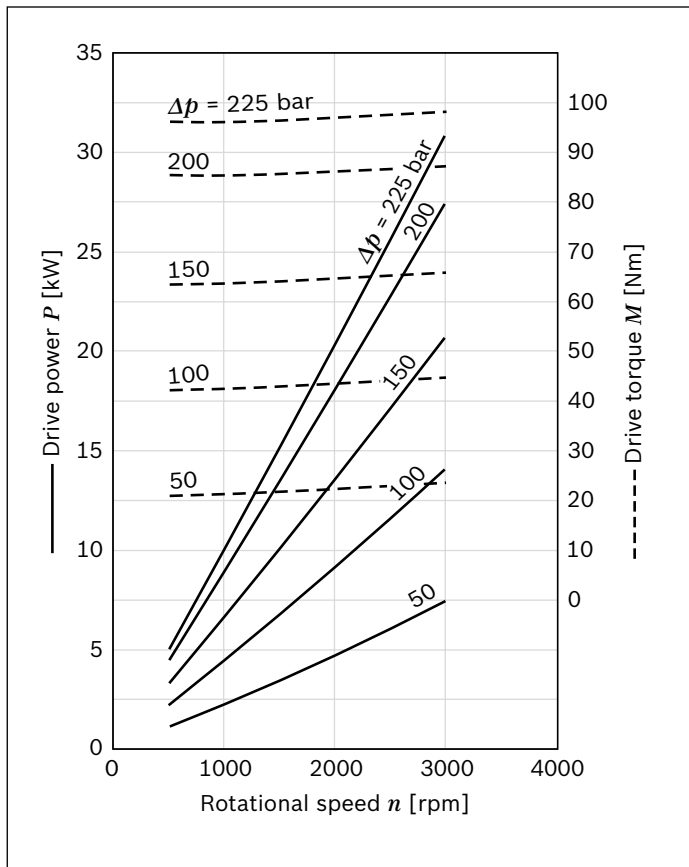
Size 19



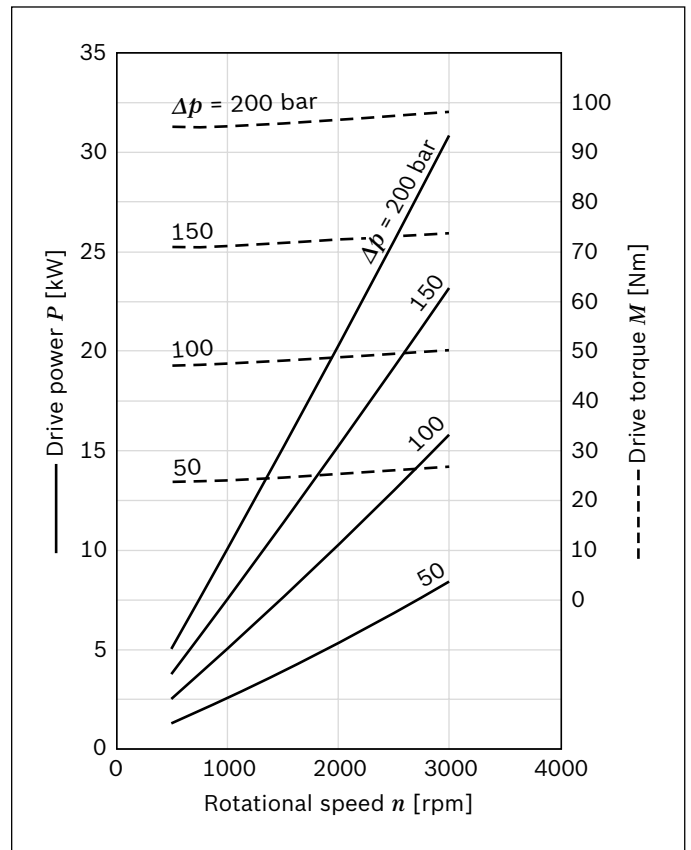
Size 22



Size 25



Size 28



Noise charts

Noise levels dependent on the rotational speed, pressure range between 10 bar and pressure value p_2 (see chapter "Technical data").

These are typical characteristic values for the respective size. They describe the airborne sound emitted solely by

the pump.

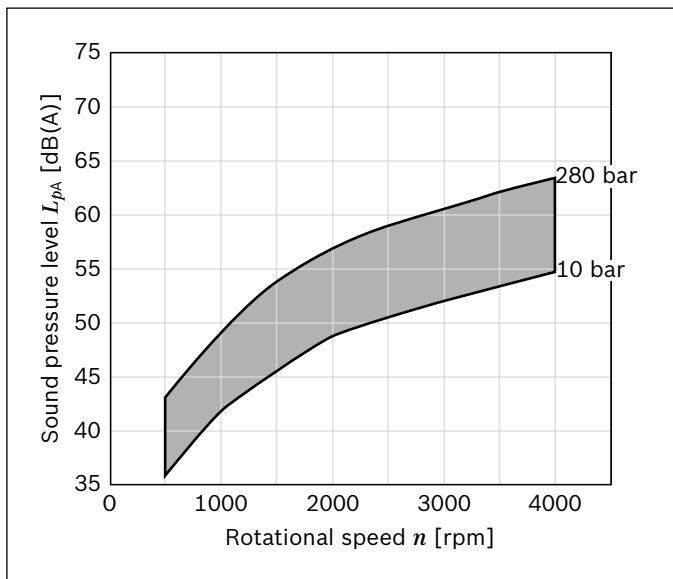
Ambient influences (installation site, piping, other system components) were not taken into account.

The values refer to one individual pump.

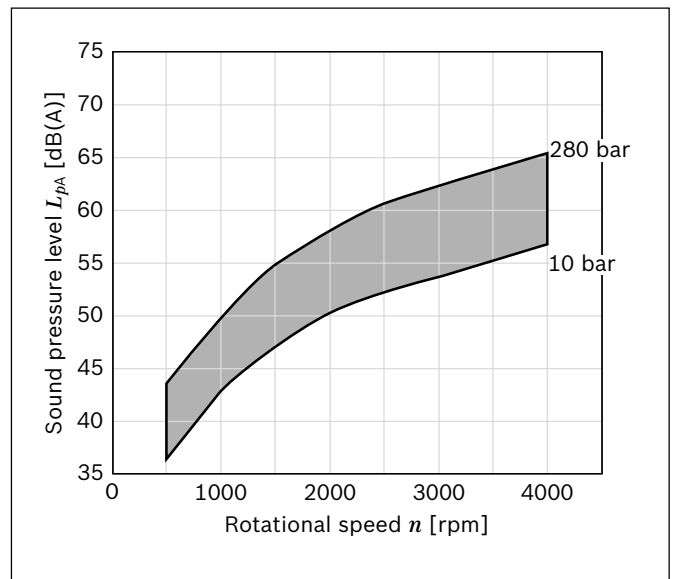
Note

- ▶ Characteristic curves measured at $v = 32 \text{ mm}^2/\text{s}$ and $t = 50 \text{ }^\circ\text{C}$.
- ▶ Sound pressure level calculated from noise measurements made in the low reflection measuring room according to DIN 45635, Part 26.
- ▶ Distance from measuring sensor to pump: 1 m.

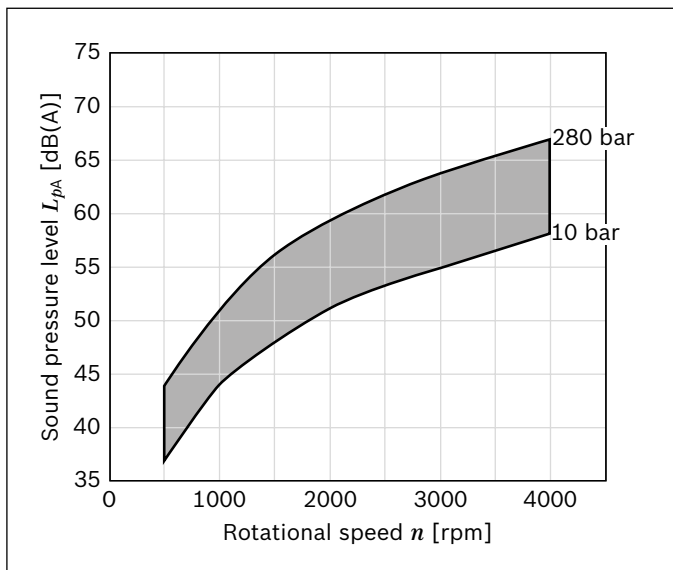
Size 4



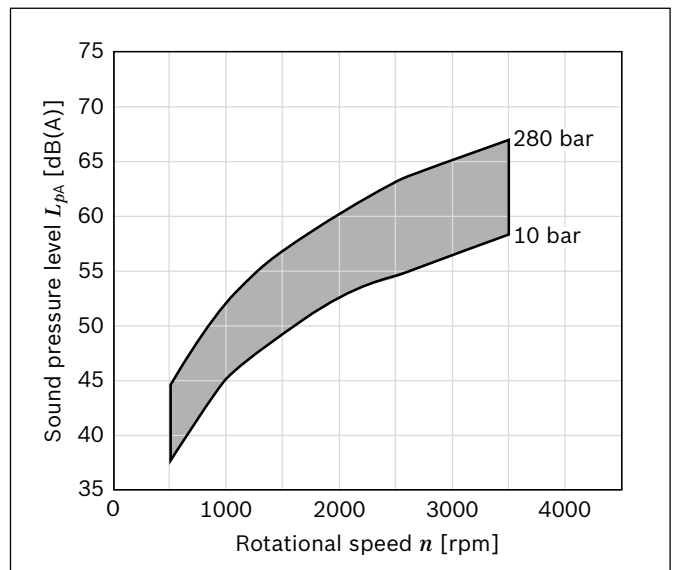
Size 5



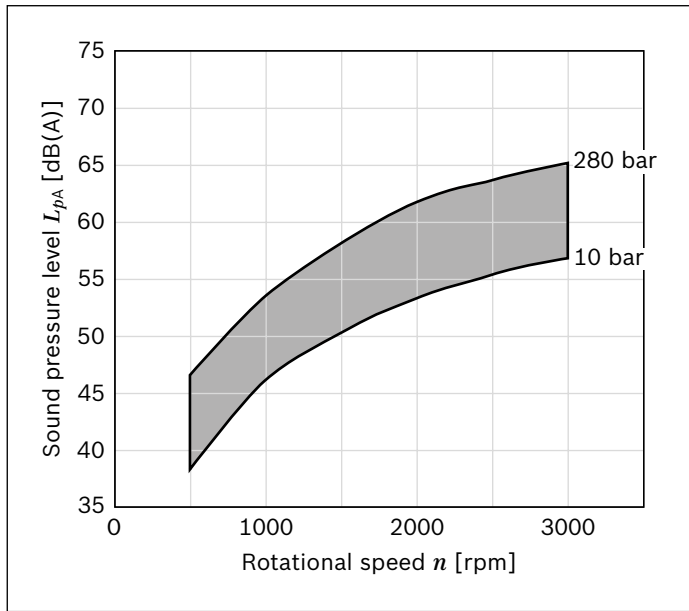
Size 8



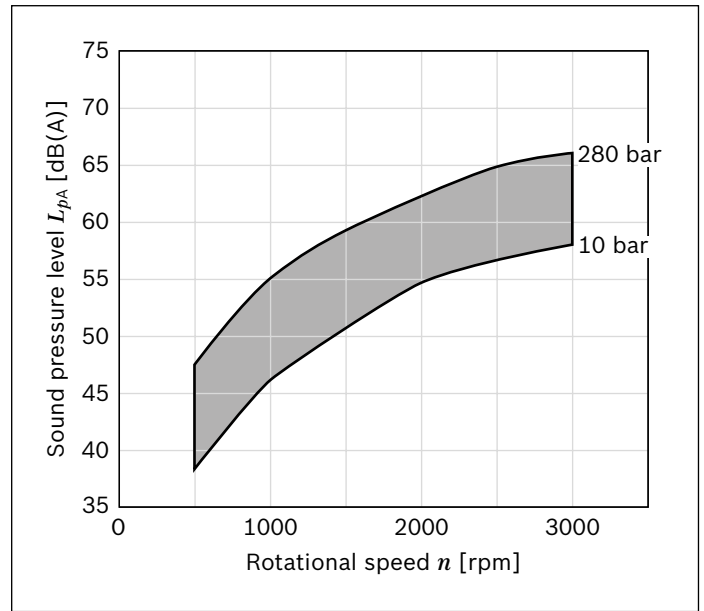
Size 11



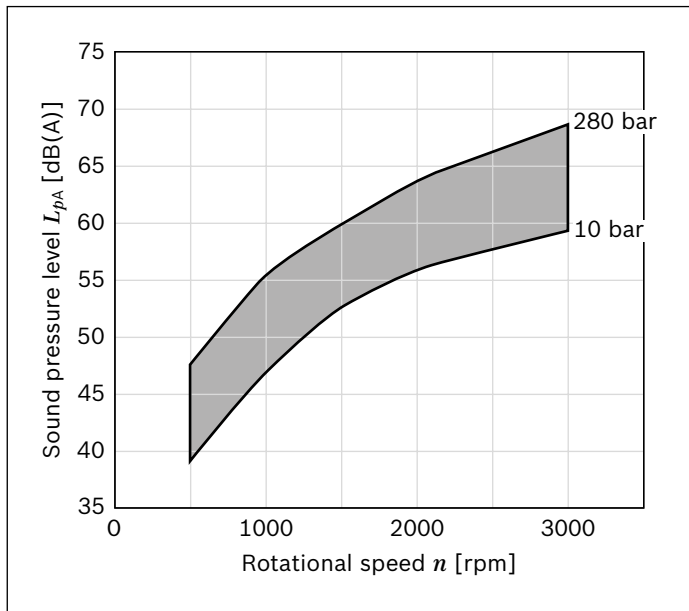
Size 14



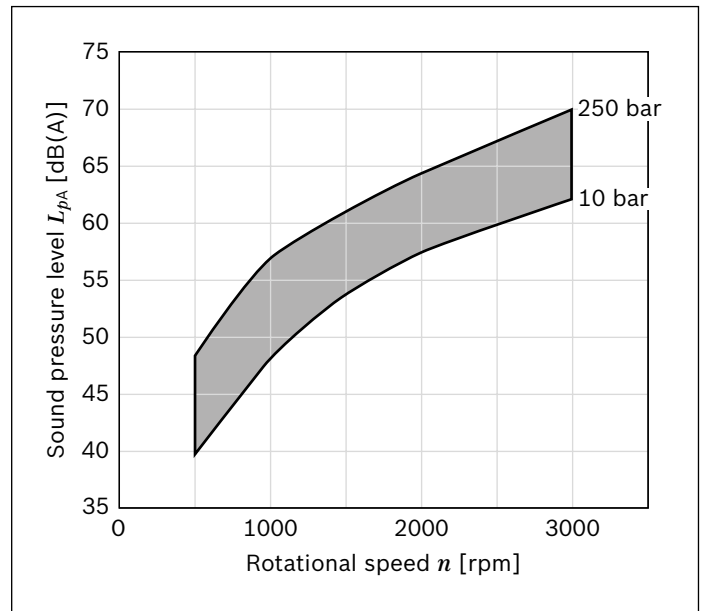
Size 16



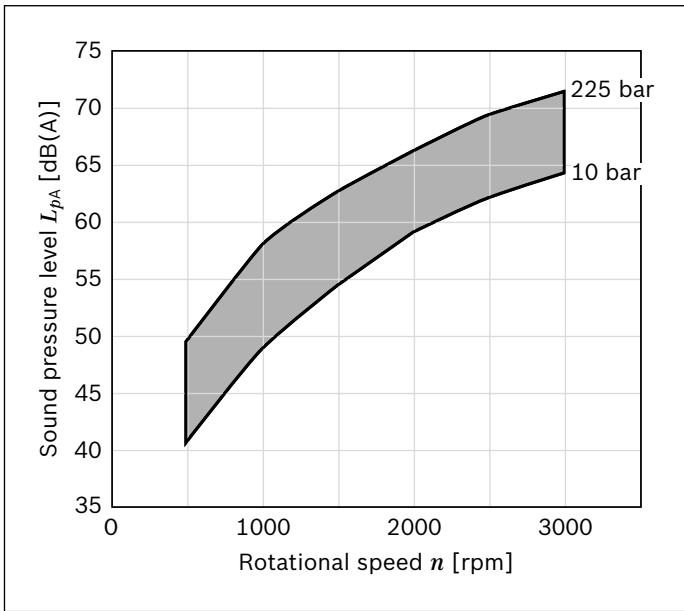
Size 19



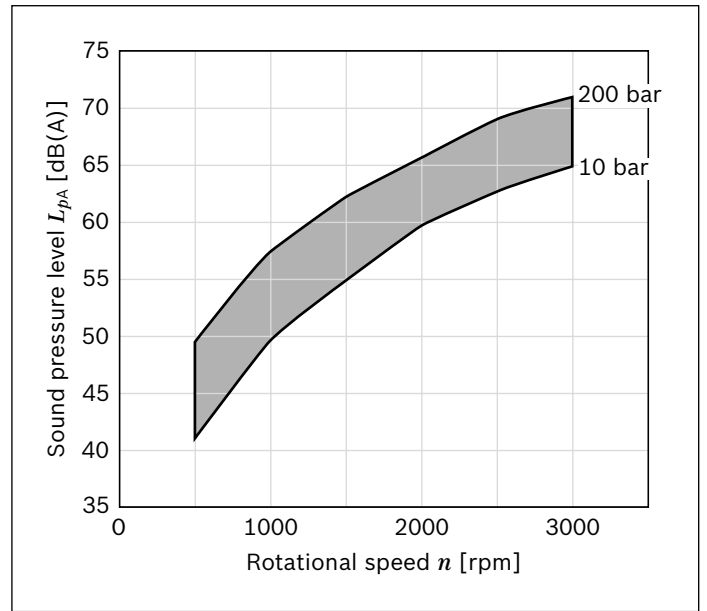
Size 22



Size 25



Size 28

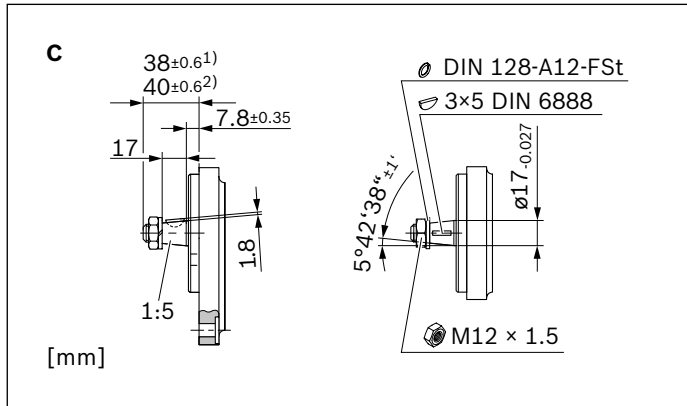


Dimensions

Drive shafts

Tapered shaft 1:5

(for front cover B, P, N)

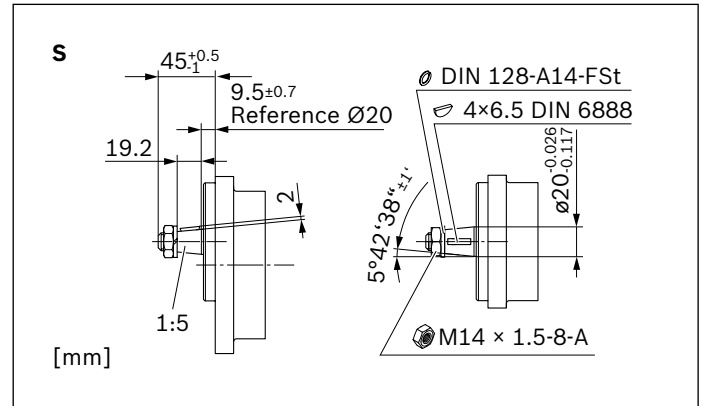


1) In combination with front cover B

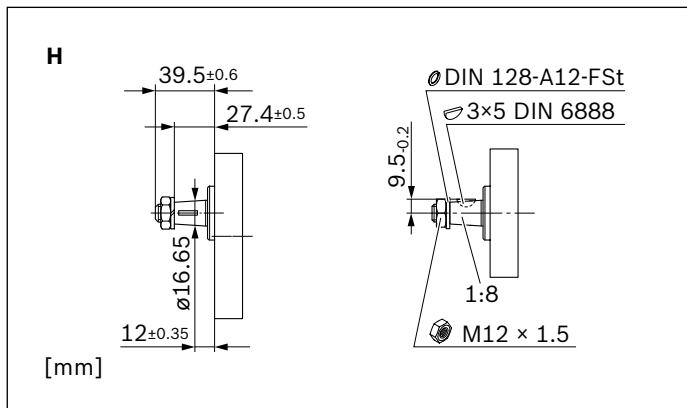
2) In combination with front cover P and front cover N

Tapered shaft 1:5

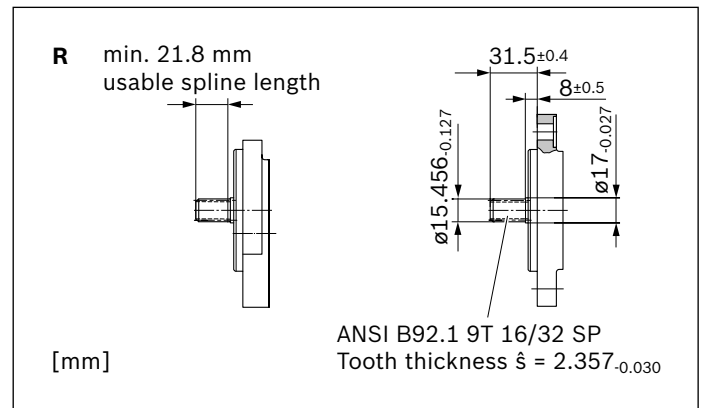
(for outrigger bearing A, G)



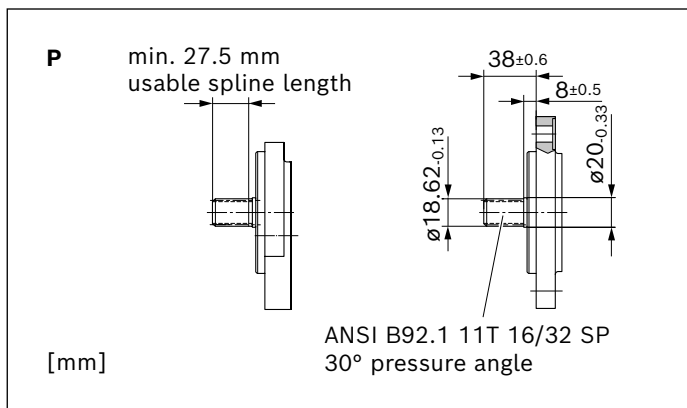
Tapered shaft 1:8



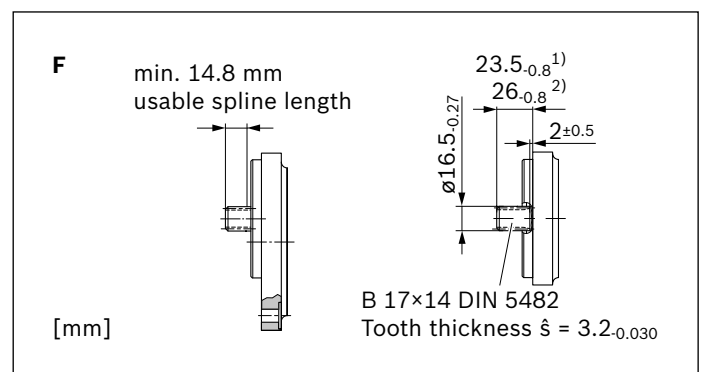
Splined shaft (SAE J744 16-4 9T)



Splined shaft (SAE J744 19-4 11T)



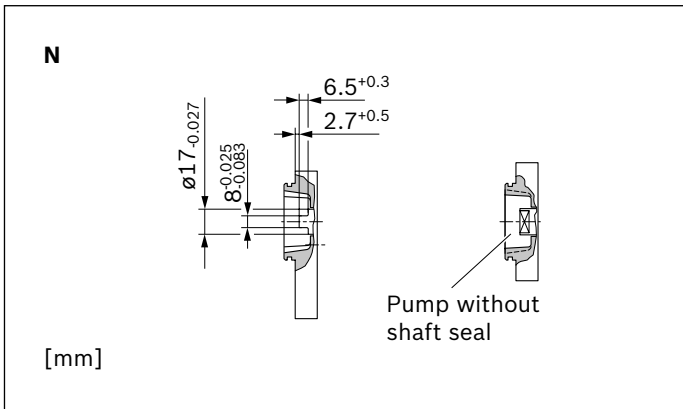
Splined shaft (DIN 5482 B17 x 14)



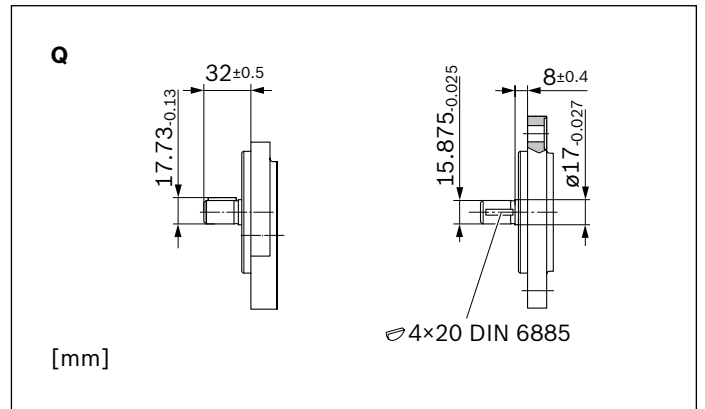
1) In combination with front cover B

2) In combination with front cover P and front cover N

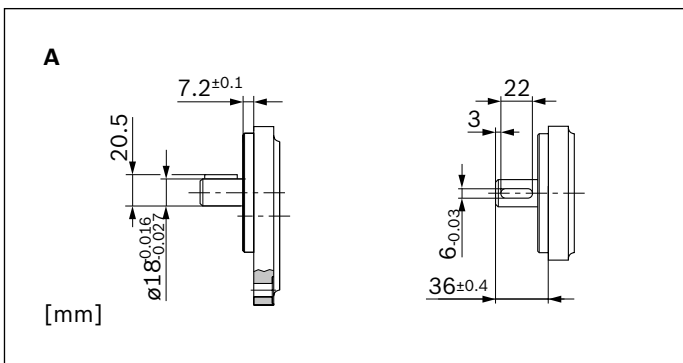
Tang drive



Parallel keyed shaft (SAE J744 16-1 A)

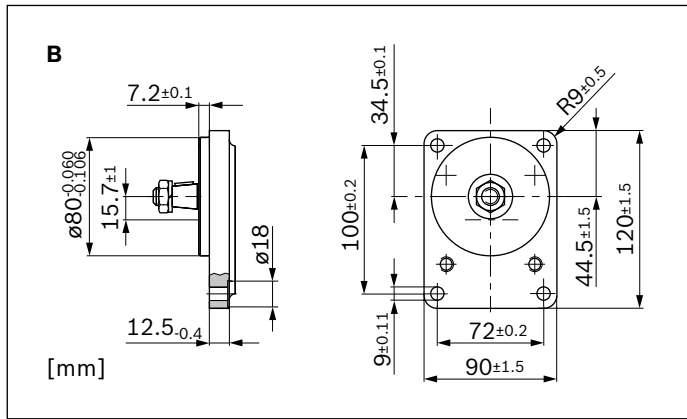


Parallel keyed shaft (ISO $\varnothing 18$ mm)

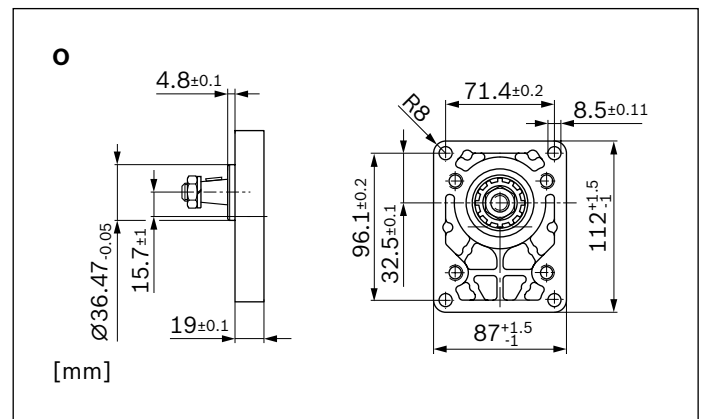


Front cover

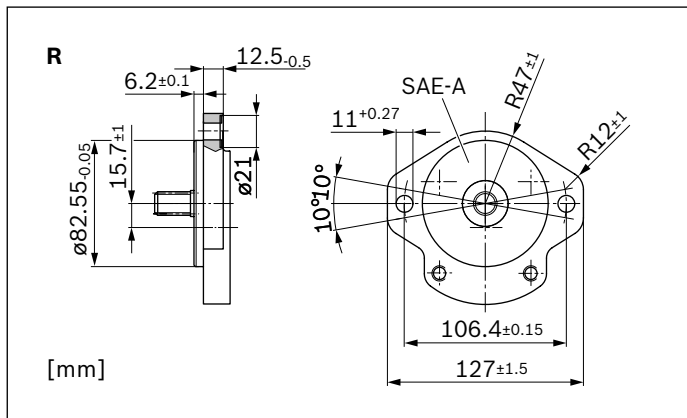
Rectangular flange Ø80 mm



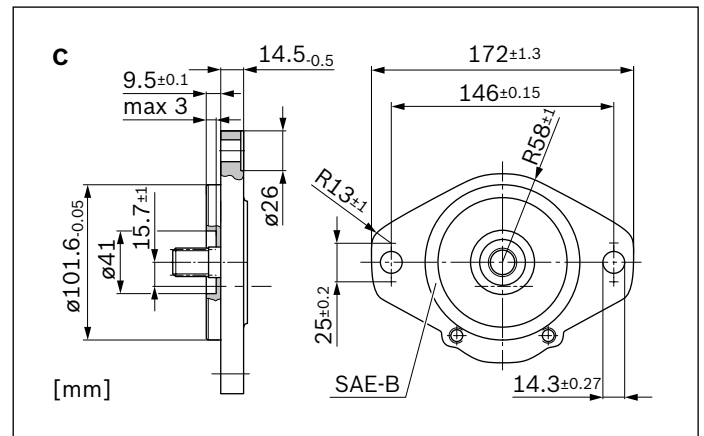
Rectangular flange Ø36.47mm



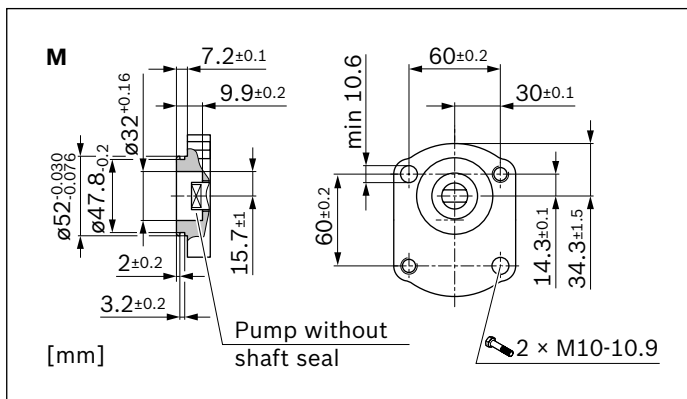
2-bolt flange Ø82.55 mm, SAE J744 82-2 (A)



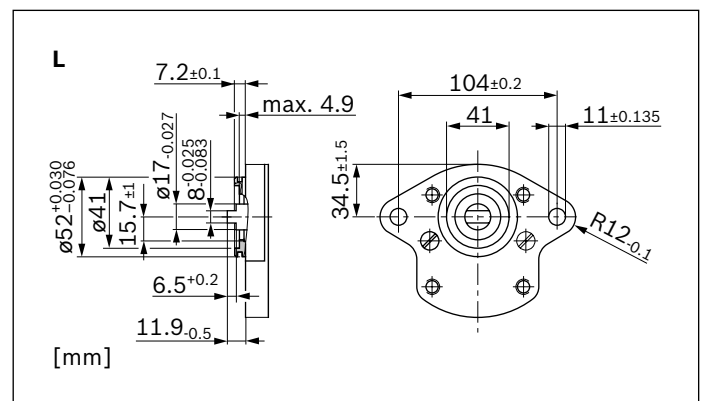
2-bolt flange Ø101.6mm, SAE J744 101-2 (B)



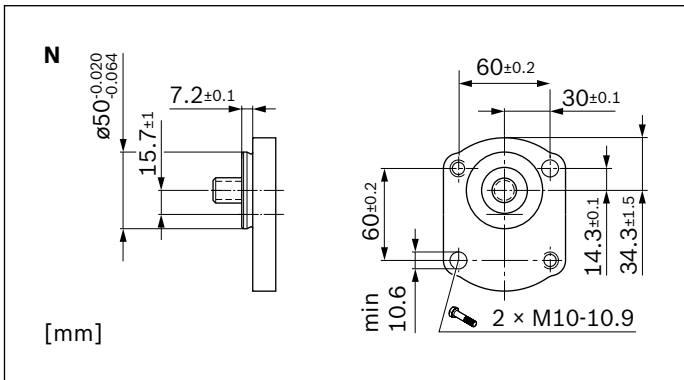
2-bolt mounting Ø52mm, with O-ring



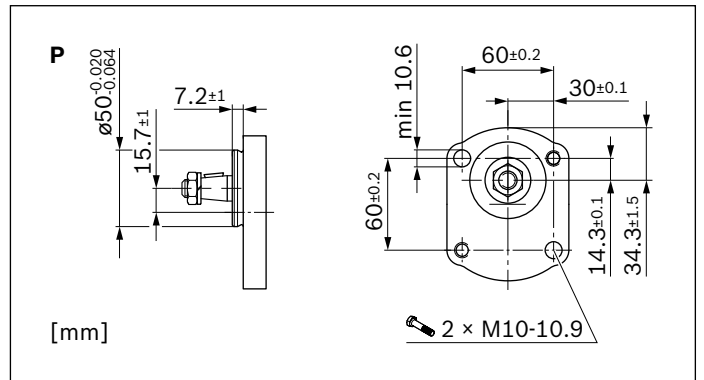
2-bolt mounting Ø52 mm, compressor port



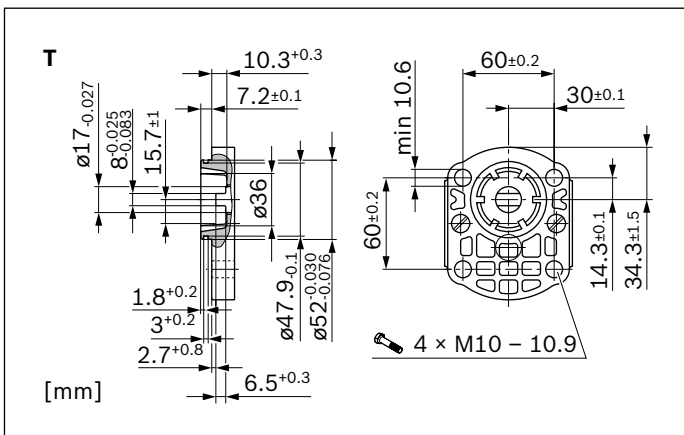
2-bolt mounting $\varnothing 50$ mm, connection variant 1



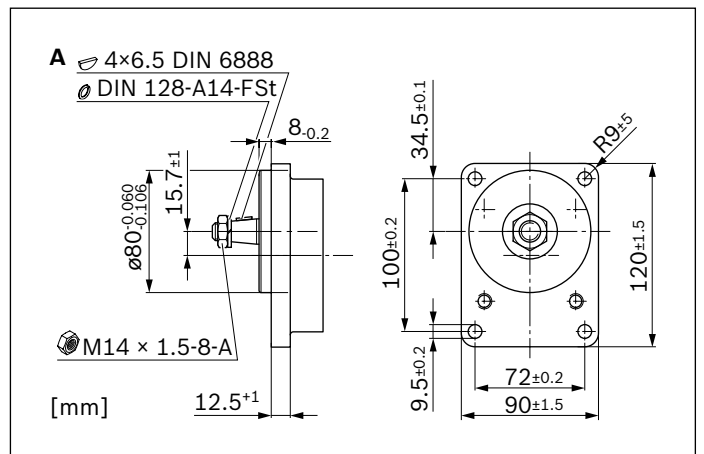
2-bolt mounting $\varnothing 50$ mm, connection variant 2



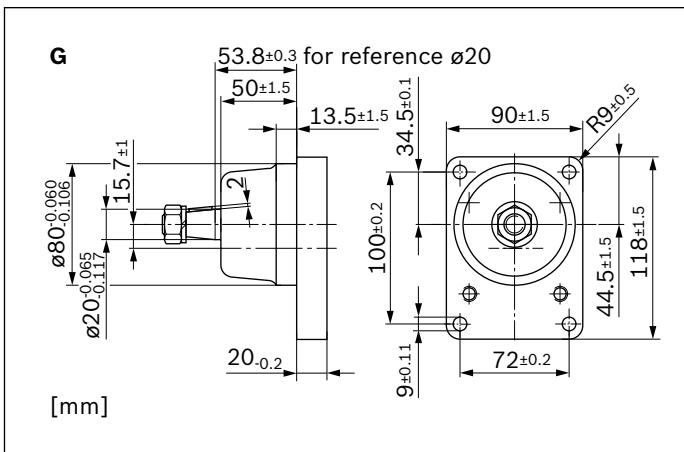
4-bolt mounting $\varnothing 52$ mm, with O-ring



Outrigger bearing $\varnothing 80$ mm, type 1

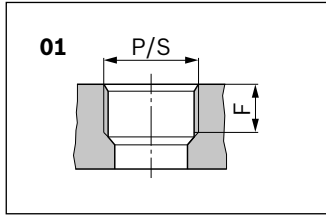


Outrigger bearing $\varnothing 80$ mm, type 2



Line connections

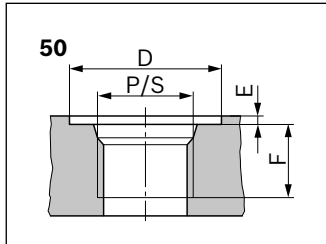
Pipe thread according to ISO 228-1



NG	Pressure side		Suction side	
	P	F	S	F
		mm		mm
5 ... 22	G 1/2	16	G 3/4	16

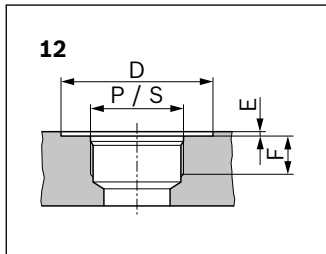
Note: Special version "AB01" deviates from standard, see page 33

Metric threads according to ISO 6149, O-ring



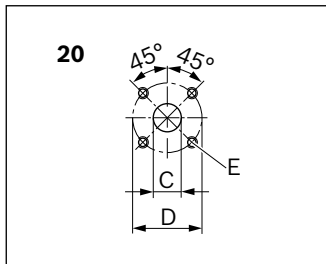
NG	Pressure side			Suction side				
	P	D	E	F	S	D	E	F
		mm	mm	mm		mm	mm	mm
4 ... 5	M18 × 1.5	29		16	M18 × 1.5	29		16
8 ... 16	M22 × 1.5	34	0,5	18	M27 × 2	40	0,5	19
19 ... 28					M33 × 2	46		22

UN-thread according to ISO 11926-1 / ASME B 1.1, O-ring



NG	Pressure side			Suction side				
	P	D	E	F	S	D	E	F
		mm	mm	mm		mm	mm	mm
4 ... 5	3/4-16 UNF-2B	30.2		14	7/8-14 UNF-2B	35		17
8 ... 14	7/8-14 UNF-2B	35	0.5	17	1 1/16-12 UN-2B	45	0.5	19
16 ... 28					1 5/16-12 UN-2B	50		20

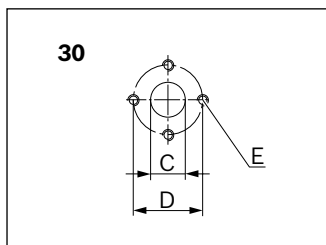
Square flange



NG	Pressure side			Suction side		
	C	D	E	C	D	E
	mm	mm		mm	mm	
4 ... 5				15		
8 ... 22	15	35	M6; 13 mm deep	20	40	M6; 13 mm deep
19 ... 28 ¹⁾				26	55	M8; 13 mm deep

¹⁾ Series 2x

Square flange



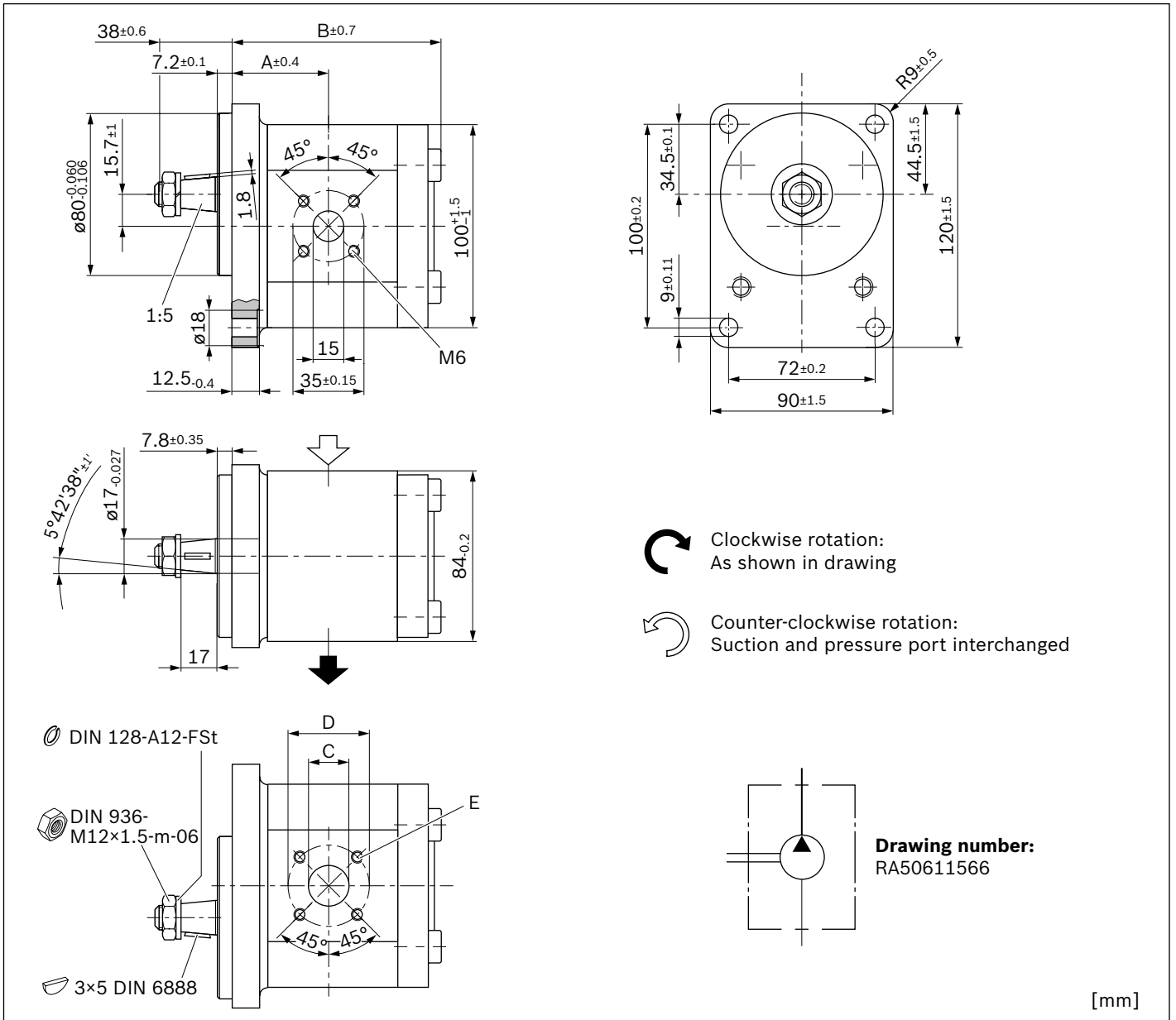
NG	Pressure side			Suction side		
	C	D	E	C	D	E
	mm	mm		mm	mm	
4 ... 8				13,5	30,2	M6; 13 mm deep
11 ... 28	13,5	30,2	M6; 13 mm deep	20	39,7	M8; 13 mm deep

Note
Depending on the design variant, the size of the threaded connections may differ from the sizes specified in the table. See information in the dimensional drawings.

Preferred program

Tapered shaft 1:5 with rectangular flange $\varnothing 80$ mm

AZPF - 1X - ... CB20MB

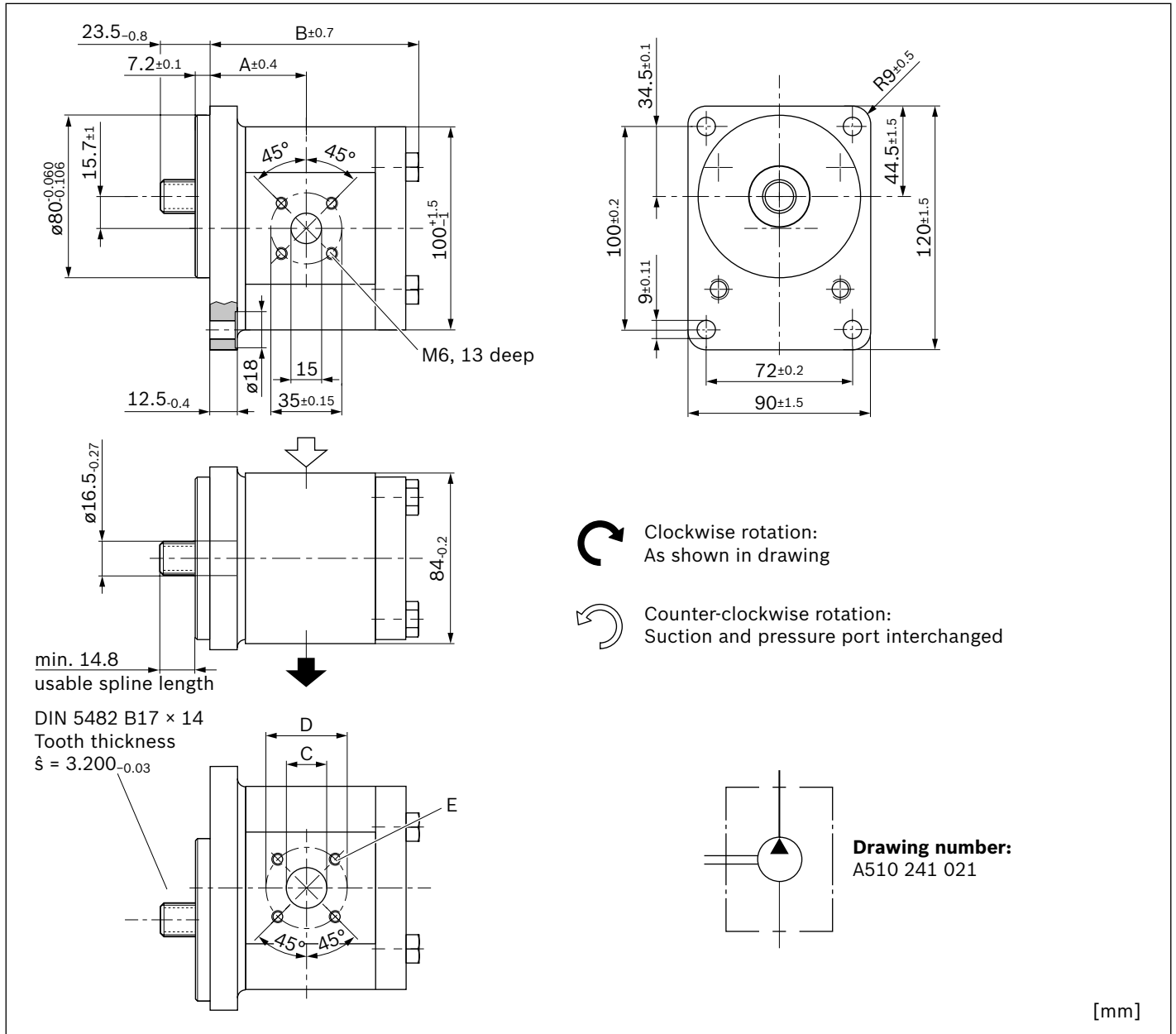


NG	Material number		Maximum pressure intermittend	Maximum speed	Weight	Dimensions				
	Direction of rotation		p ₂ bar	n _{max} rpm		m kg	A mm	B mm	C mm	D mm
	counter-clockwise	clockwise								
4	0 510 225 306	0 510 225 006 ¹⁾	280	4000	3.2	39.9	85	15	40	M6; 13 mm deep
5	0 510 325 306	0 510 325 006	280	4000	3.2	41.1	87.5	15	40	
8	0 510 425 307	0 510 425 009	280	4000	3.3	43.2	91.6	20	40	
11	0 510 525 311	0 510 525 009	280	3500	3.5	47	96.6	20	40	
14	0 510 525 319	0 510 525 018	280	3000	3.7	47.5	101.6	20	40	
16	0 510 625 315	0 510 625 022	280	3000	3.7	47.5	105	20	40	
19	0 510 625 314	0 510 625 013	230	3500	3.8	47.5	110	20	40	
22	0 510 725 330	0 510 725 030	210	2500	3.8	55.1	115.4	20	40	

¹⁾ Version with shaft seal ring in FKM (Type code - ...KB)

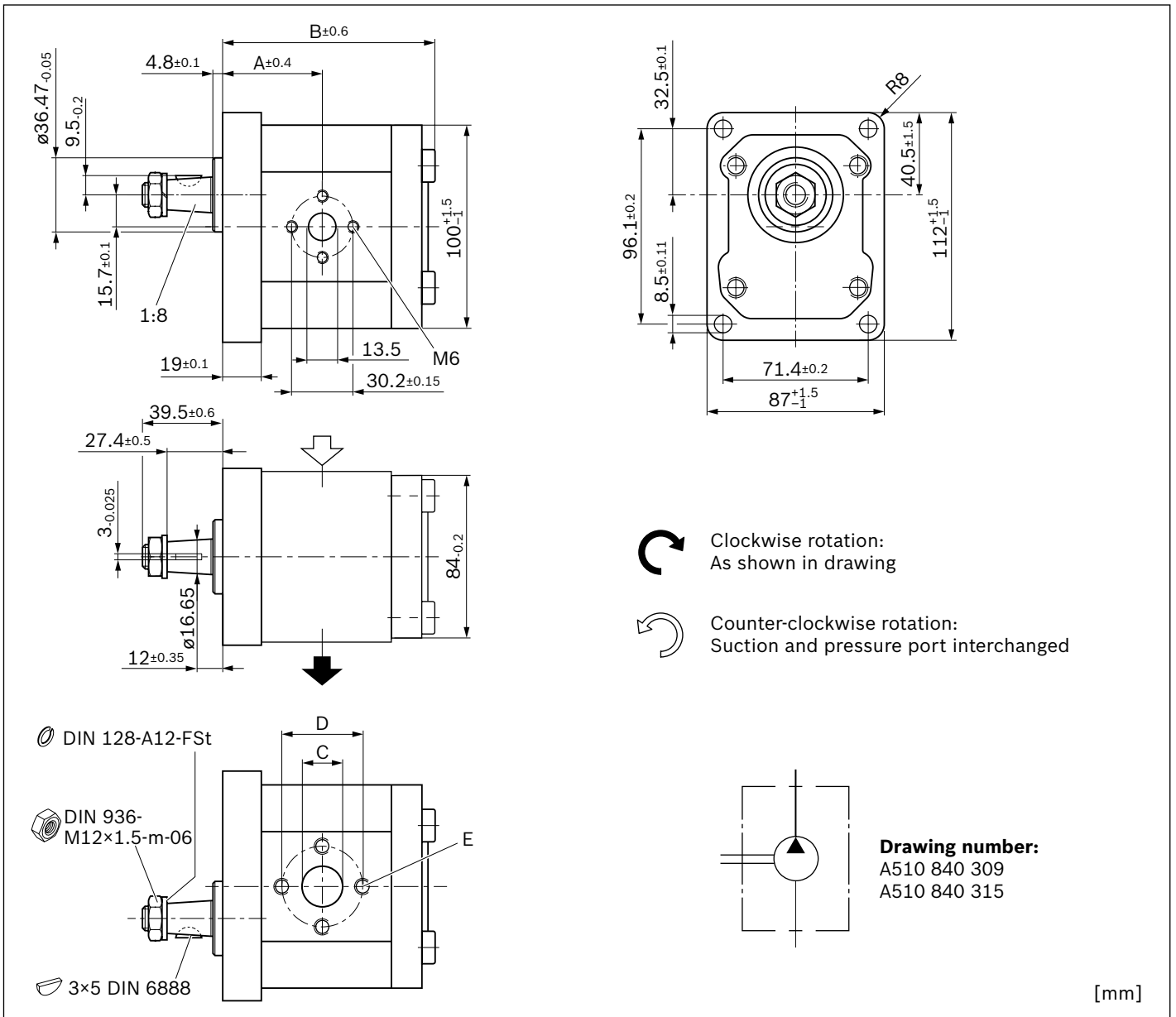
Splined shaft (DIN 5482 B17 x 14) with rectangular flange Ø80 mm

AZPF – 1X – ... **FB20MB**



NG	Material number		Maximum pressure intermittend	Maximum speed	Weight	Dimensions				
	Direction of rotation		p_2	n_{max}	m	A	B	C	D	E
	counter-clockwise	clockwise	bar	rpm	kg	mm	mm	mm	mm	mm
4	0 510 225 307	0 510 225 007	280	4000	3.1	39.9	85	15	40	
5	0 510 325 307	0 510 325 007	280	4000	3.2	41.1	87.5	15	40	
8	0 510 425 308	0 510 425 010	280	4000	3.3	43.2	91.6	20	40	
11	0 510 525 312	0 510 525 010	280	3500	3.5	47	96.6	20	40	
14	0 510 525 328	0 510 525 030	280	3000	3.6	47.5	101.6	20	40	M6; 13 mm deep
16	0 510 625 317	0 510 625 015	280	3000	3.65	47.5	105	20	40	
19	0 510 625 316	0 510 625 014	230	3000	3.8	47.5	110	20	40	
22	0 510 725 349		230	3000	4.4	61.1	127.4	20	40	
22		0 510 725 062	210	2500	4	55.1	115.4	20	40	

Tapered shaft 1:8 with rectangular flange $\varnothing 36.47$ mm
AZPF - 12 - ... HO30KB

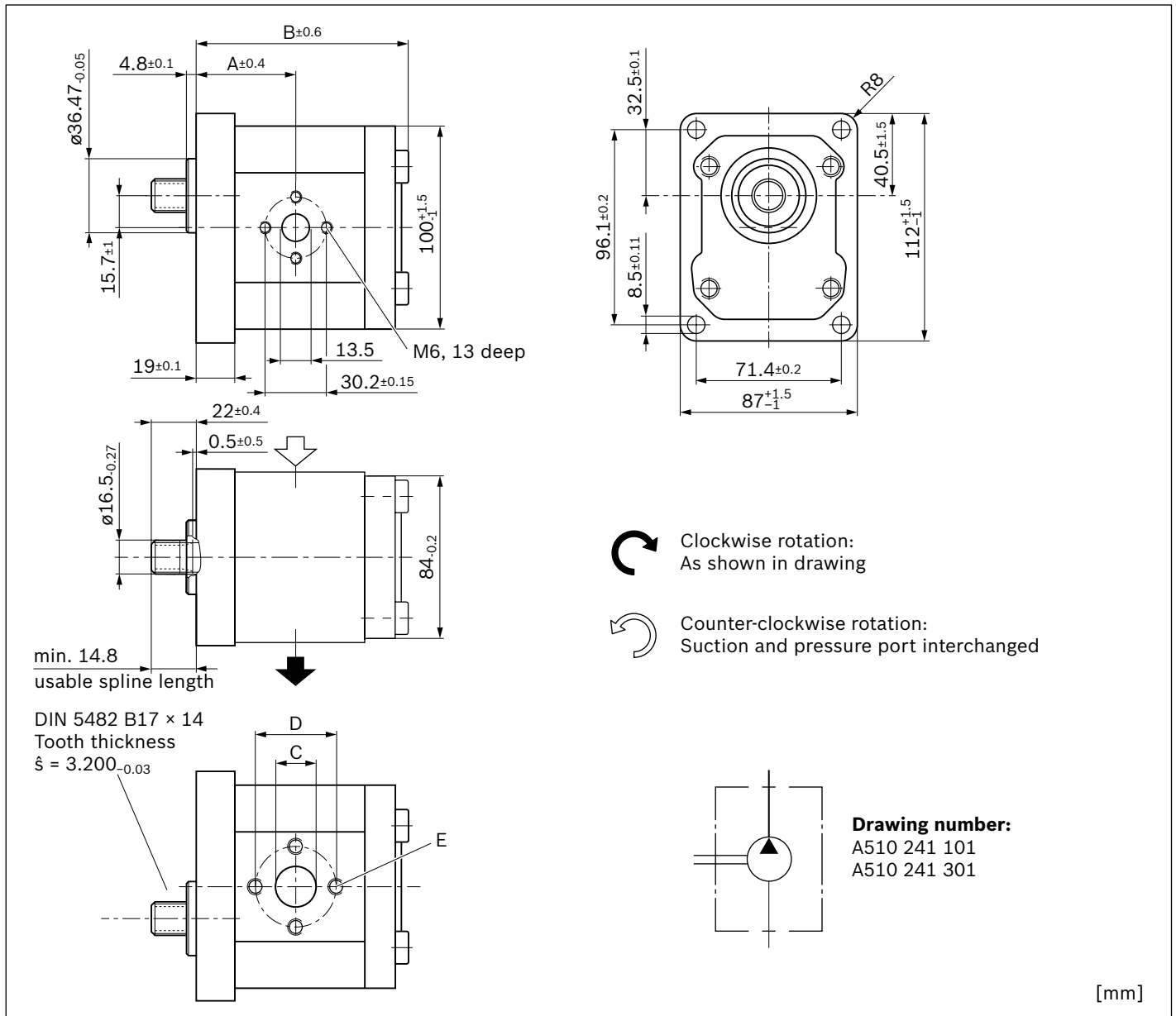


NG	Material number		Maximum pressure	Maximum	Weight	Dimensions				
	Direction of rotation		intermittent	speed		A	B	C	D	E
	counter-clockwise	clockwise	p_2	n_{max}	m	mm	mm	mm	mm	mm
4	0 510 225 317	0 510 225 022	280	4000	3.1	41.4	84.1	13.5	30.2	
5	0 510 325 320	0 510 325 025	280	4000	3.2	42.6	86.6	13.5	30.2	M6; 13 mm deep
8	0 510 425 334	0 510 425 043	280	4000	3.3	44.7	92.5	13.5	30.2	
11	0 510 525 374	0 510 525 074	280	3500	3.4	48.5	97.5	13.5	30.2	
14	0 510 525 375	0 510 525 075	280	3000	3.6	49	102.5	13.5	30.2	
16	0 510 625 381	0 510 625 075	280	3000	3.6	49	105.9	13.5	30.2	
19	0 510 625 386 ¹⁾	0 510 625 076 ¹⁾	280	3500	4.1	59.9	121.1	20	39.7	M8; 13 mm deep
22	0 510 725 410 ¹⁾	0 510 725 112 ¹⁾	250	3500	4.2	62.6	126.5	20	39.7	
25	0 510 725 411 ¹⁾	0 510 725 113 ¹⁾	225	3000	4.4	64.7	132.5	20	39.7	
28	0 510 725 412 ¹⁾	0 510 725 114 ¹⁾	200	3000	4.5	67.1	137.3	20	39.7	

¹⁾ Version with reinforced bearings, Series 2X (AZPF - 22 - ...)

Splined shaft (DIN 5482 B17 x 14) with rectangular flange Ø36.47 mm

AZPF - 1X - ... **FO30MB**

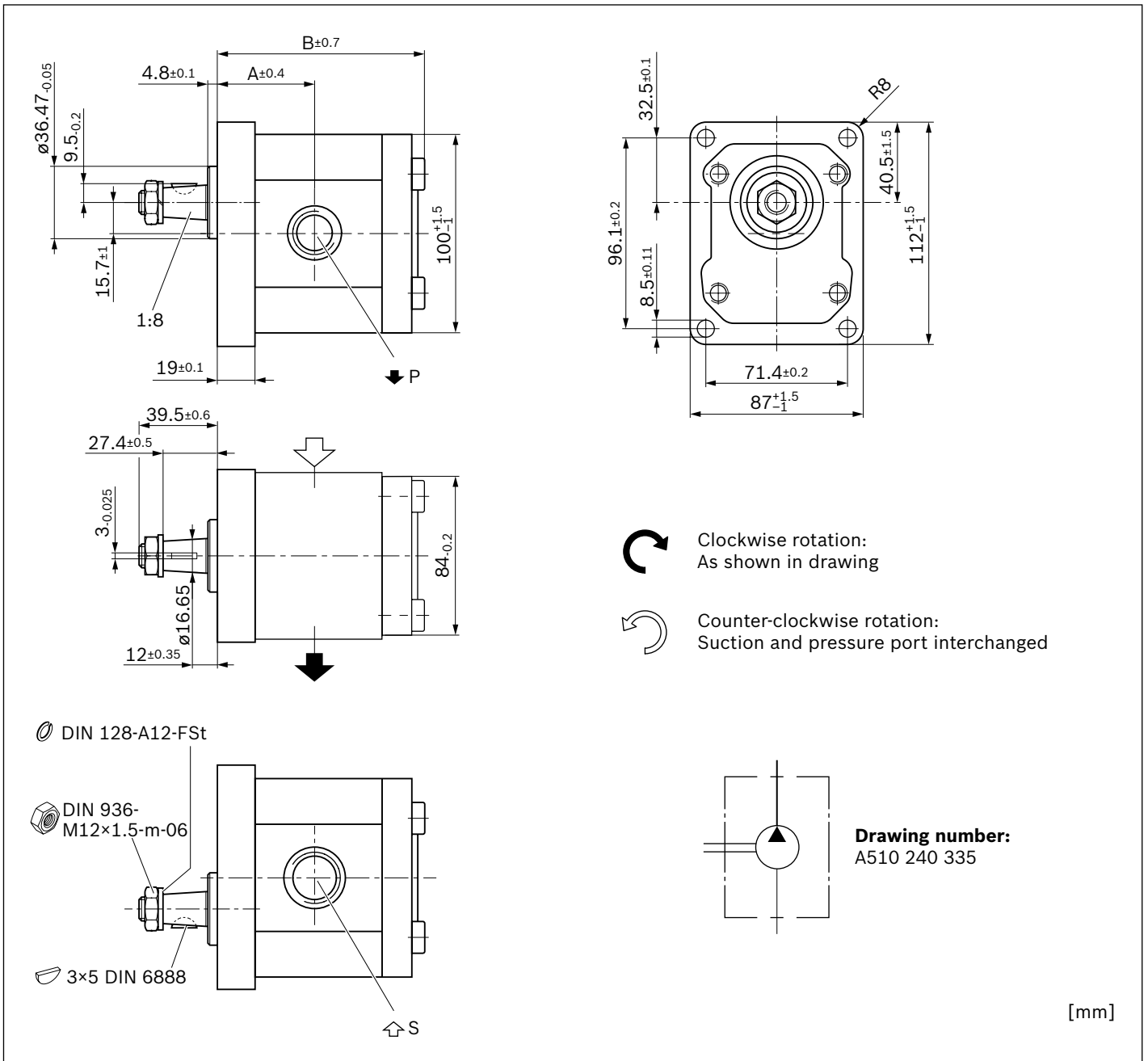


NG	Material number		Maximum pressure	Maximum speed	Weight	Dimensions				
	Direction of rotation		intermittent			A	B	C	D	E
	counter-clockwise	clockwise	p ₂	n _{max}	m	mm	mm	mm	mm	mm
8	0 510 425 315	0 510 425 021	280	4000	3.3	44.7	93.1	13.5	30.2	M6; 13 mm deep
11	0 510 525 323	0 510 525 024	280	3500	3.4	48.5	98.1	20	39.7	
11	0 510 525 331 ¹⁾		210	3500	3.3	48.5	98.1	20	39.7	
14		0 510 525 034 ¹⁾	210	3000	3.4	49	103.1	20	39.7	
16	0 510 625 327 ¹⁾	0 510 625 329 ¹⁾	210	3000	3.5	49	106.5	20	39.7	M8; 13 mm deep
19		0 510 625 049 ¹⁾	210	3000	3.7	49	111.5	20	39.7	
19	0 510 625 332 ¹⁾		210	3000	4	59.9	123.5	20	39.7	
22	0 510 725 348 ¹⁾	0 510 725 076 ¹⁾	210	3000	4.2	62.6	127.8	20	39.7	

¹⁾ Version with seals in FKM (Type code - ...PB)

Tapered shaft 1:8 with rectangular flange $\varnothing 36.47$ mm

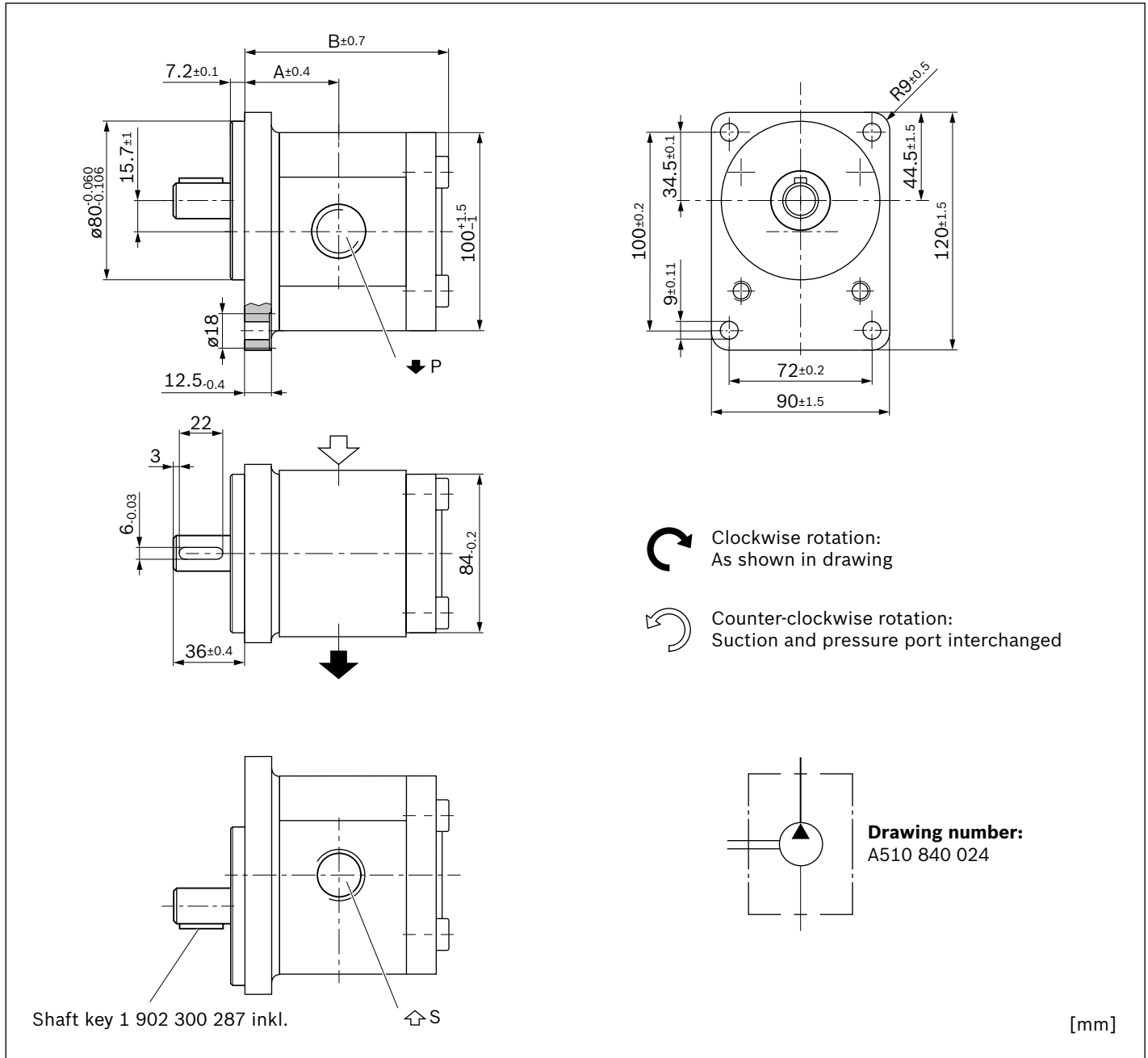
AZPF – 1X – ... **HO01MB**



NG	Material number	Maximum pressure intermittend	Maximum speed	Weight	Dimensions			
	Direction of rotation	p_2	n_{max}	m	A	B	S	P
	clockwise	bar	rpm	kg	mm	mm		
4								
5	0 510 325 018	280	4000	3.1	42.6	89		
8	0 510 425 027	280	4000	3.15	44.7	93.1		
11	0 510 525 039	280	3500	3.3	48.5	98.1		
14	0 510 525 040	280	3000	3.4	49	103.1	G 3/4; 16 mm deep	G 1/2; 16 mm deep
16	0 510 625 047	280	3000	3.58	49	106.5		
19	0 510 625 052	230	3000	3.6	49	111.5		
22	0 510 725 084	210	2500	3.8	56.6	116.4		

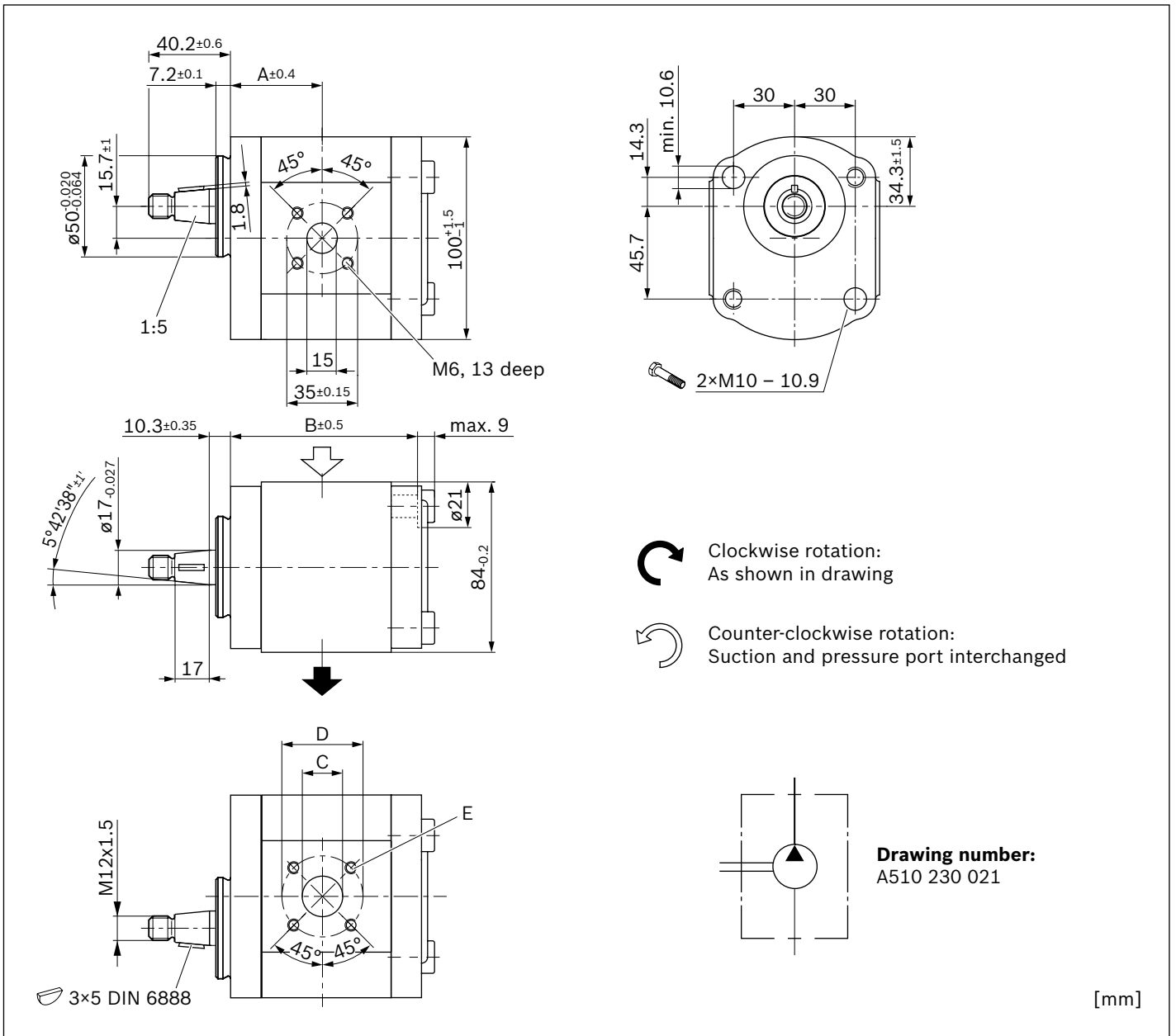
Parallel keyed shaft (ISO $\varnothing 18$) with rectangular flange $\varnothing 80$ mm

AZPF – 11 – ... **AB01MB**



NG	Material number		Maximum pressure	Maximum	Weight	Dimensions			
	Direction of rotation		intermittend	speed		A	B	S	P
	counter-clockwise	clockwise	p ₂	n _{max}	m	mm	mm		
4	0 510 225 318	0 510 225 023	280	4000	3.3	39.9	84.3		
5	0 510 325 321	0 510 325 026	280	4000	3.3	41.1	85.2	G 1/2; 16 mm deep	G 1/2; 16 mm deep
8	0 510 425 335	0 510 425 044	280	4000	3.4	43.2	89.3		
11	0 510 525 376	0 510 525 076	280	3500	3.6	45.6	94.3		
14									
16	0 510 625 382	0 510 625 077	250	3000	3.8	49.9	102.7	G 3/4; 16 mm deep	G 3/4; 16 mm deep
19									
22	0 510 725 418	0 510 725 120	180	2500	4.1	55.1	114.7		

Tapered shaft 1:5 with 2-bolt mounting $\varnothing 50$ mm
AZPF - 1X - ... CP20MB



Drawing number:
A510 230 021

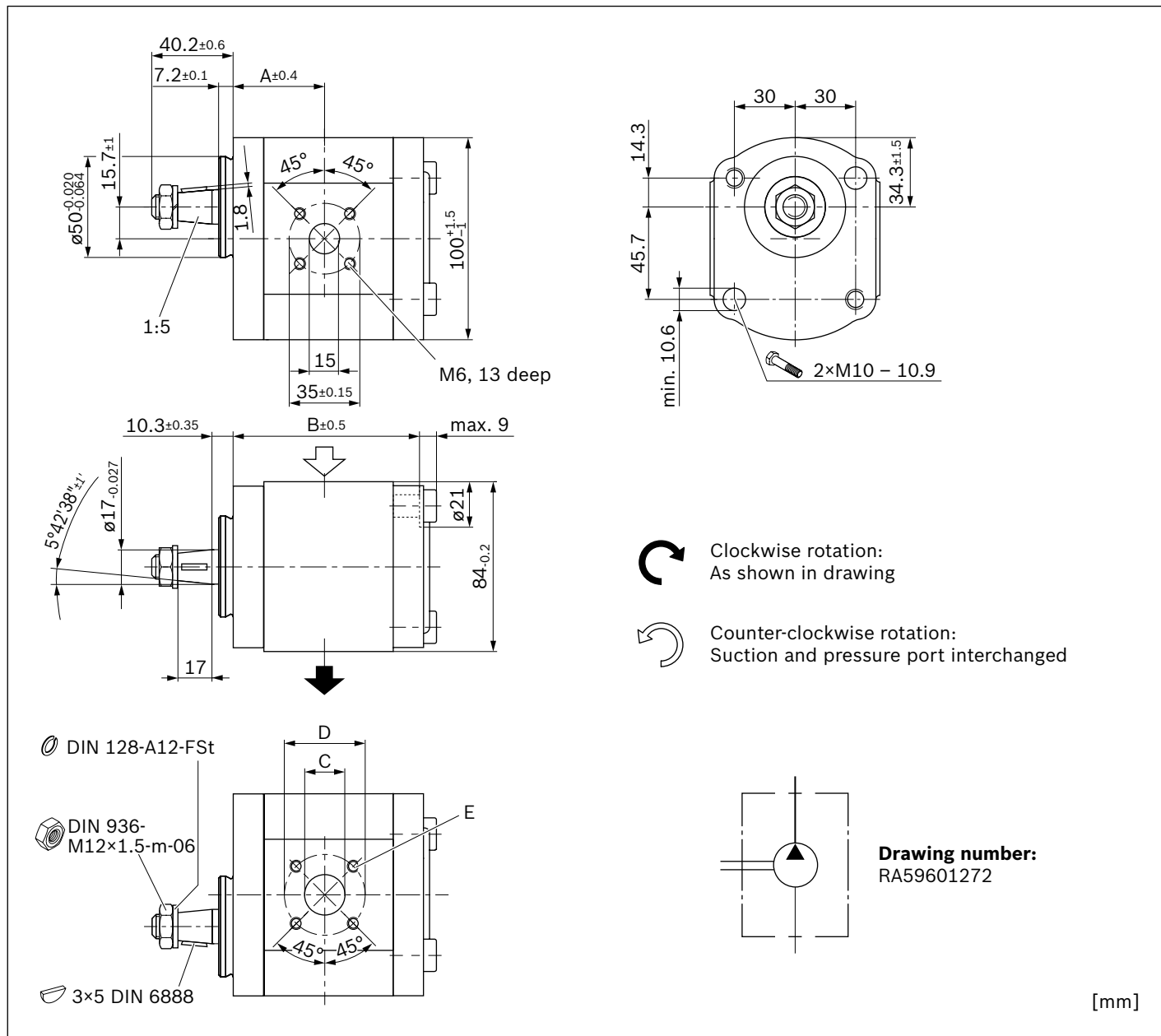
[mm]

NG	Material number		Maximum pressure	Maximum	Weight	Dimensions				
	Direction of rotation		intermittent	speed		A	B	C	D	E
	counter-clockwise	clockwise	p_2	n_{max}	m	mm	mm	mm	mm	mm
4	0 510 215 009	0 510 215 309	280	4000	2.5	37.7	73.7	15	40	
5	0 510 315 307	0 510 315 006	280	4000	2.65	38.6	76.2	15	40	
8	0 510 415 316		280	4000	2.7	40.6	80.3	20	40	
11	0 510 515 309	0 510 515 007	280	3500	2.75	44.5	85.5	20	40	
14	0 510 515 316	0 510 515 018	280	3000	3.1	45	90.3	20	40	M6; 13 mm deep
16	0 510 615 317	0 510 615 010	280	3000	2.9	45	93.7	20	40	
19	0 510 615 318	0 510 615 005	230	3000	3.2	45	98.7	20	40	
22	0 510 715 306 ¹⁾		210	2500	3.3	52.5	104.1	20	40	

¹⁾ Version with shaft seal ring in FKM (Type code - ...KB)

Tapered shaft 1:5 with 2-bolt mounting $\varnothing 50$ mm

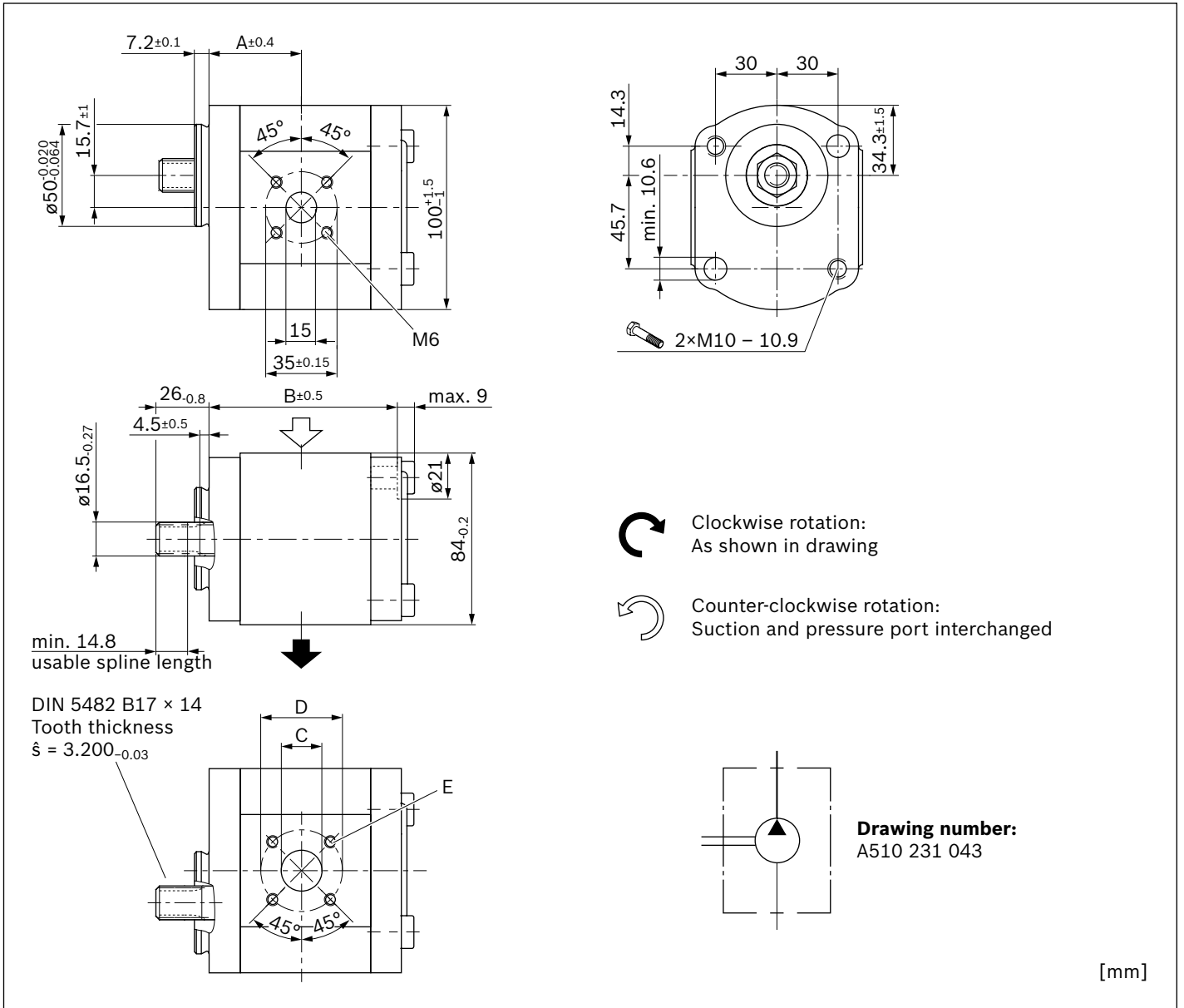
AZPF - 1X - ... **CN20MB**



NG	Material number		Maximum pressure intermittent	Maximum speed	Weight	Dimensions				
	Direction of rotation		p_2	n_{max}		A	B	C	D	E
	counter-clockwise	clockwise	bar	rpm	kg	mm	mm	mm	mm	mm
4	0 510 215 306	0 510 215 006	280	4000	2.6	37.4	73.7	15	40	
5	0 510 315 304	0 510 315 004	280	4000	2.6	38.6	76.2	15	40	
8	0 510 415 313	0 510 415 005	280	4000	2.8	40.7	80.3	20	40	
11	0 510 515 310	0 510 515 004	280	3500	2.9	44.5	85.3	20	40	M6; 13 mm deep
14		0 510 515 015	280	3000	3	45	90.3	20	40	
16	0 510 615 314		280	3000	3.1	45	93.7	20	40	
19	0 510 615 341		230	3000	3.2	45	98.7	20	40	

Splined shaft (DIN 5482 B17 x 14) with 2-bolt mounting $\varnothing 50$ mm

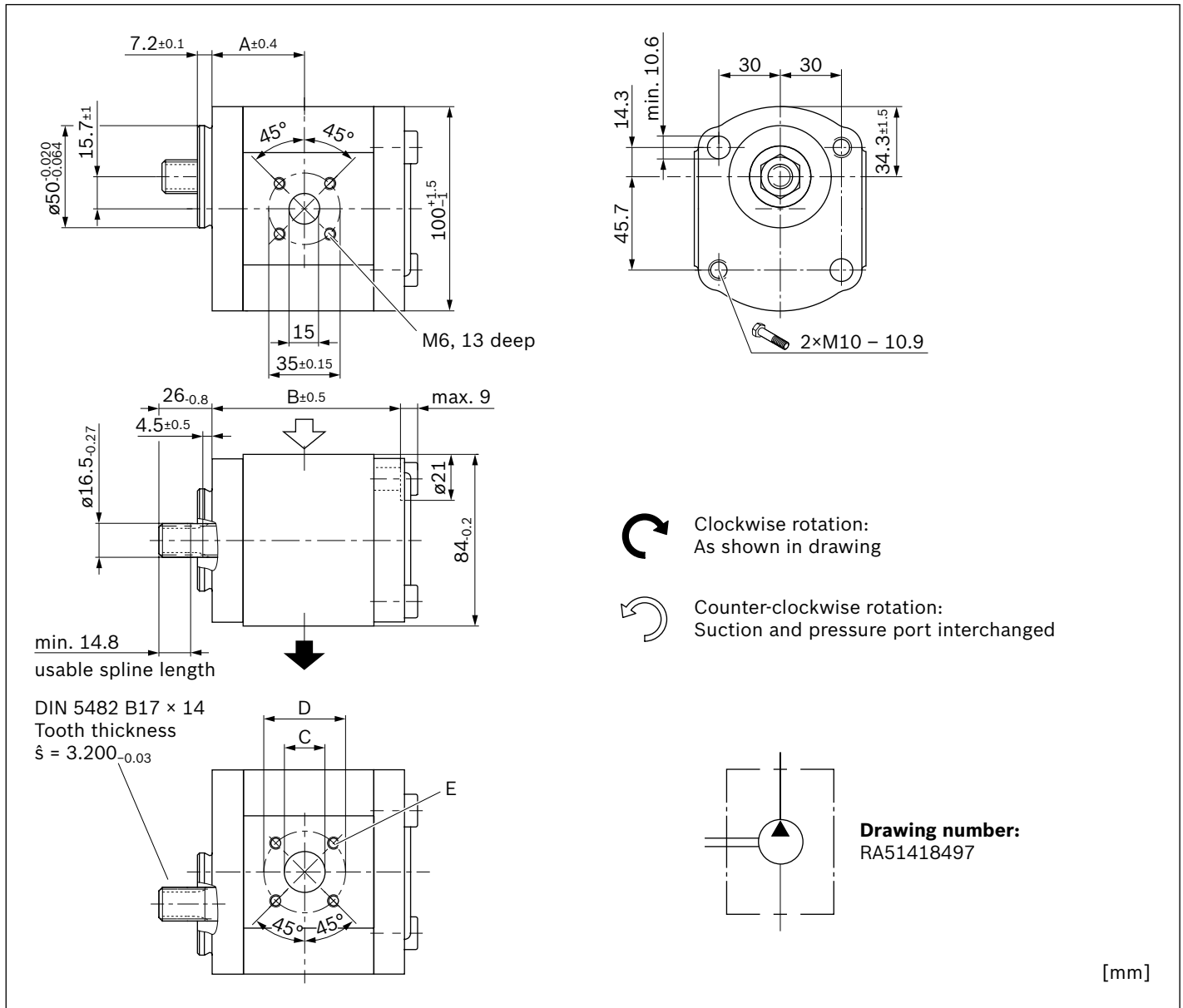
AZPF – 1X – ... **FN20MB**



NG	Material number	Maximum pressure intermittend	Maximum speed	Weight	Dimensions				
	Direction of rotation	p_2	n_{\max}	m	A	B	C	D	E
	clockwise	bar	rpm	kg	mm	mm	mm	mm	
5	0 510 315 007	280	4000	2.55	38.6	76.2	15	40	
8									
11	0 510 515 011	280	3500	2.85	44.5	85.3	20	40	
14									M6; 13 mm deep
19	0 510 615 009	230	3000	3.2	45	98.7	20	40	
22									

Splined shaft (DIN 5482 B17 x 14) with 2-bolt mounting $\varnothing 50$ mm

AZPF - 1X - ... **FP20PB**

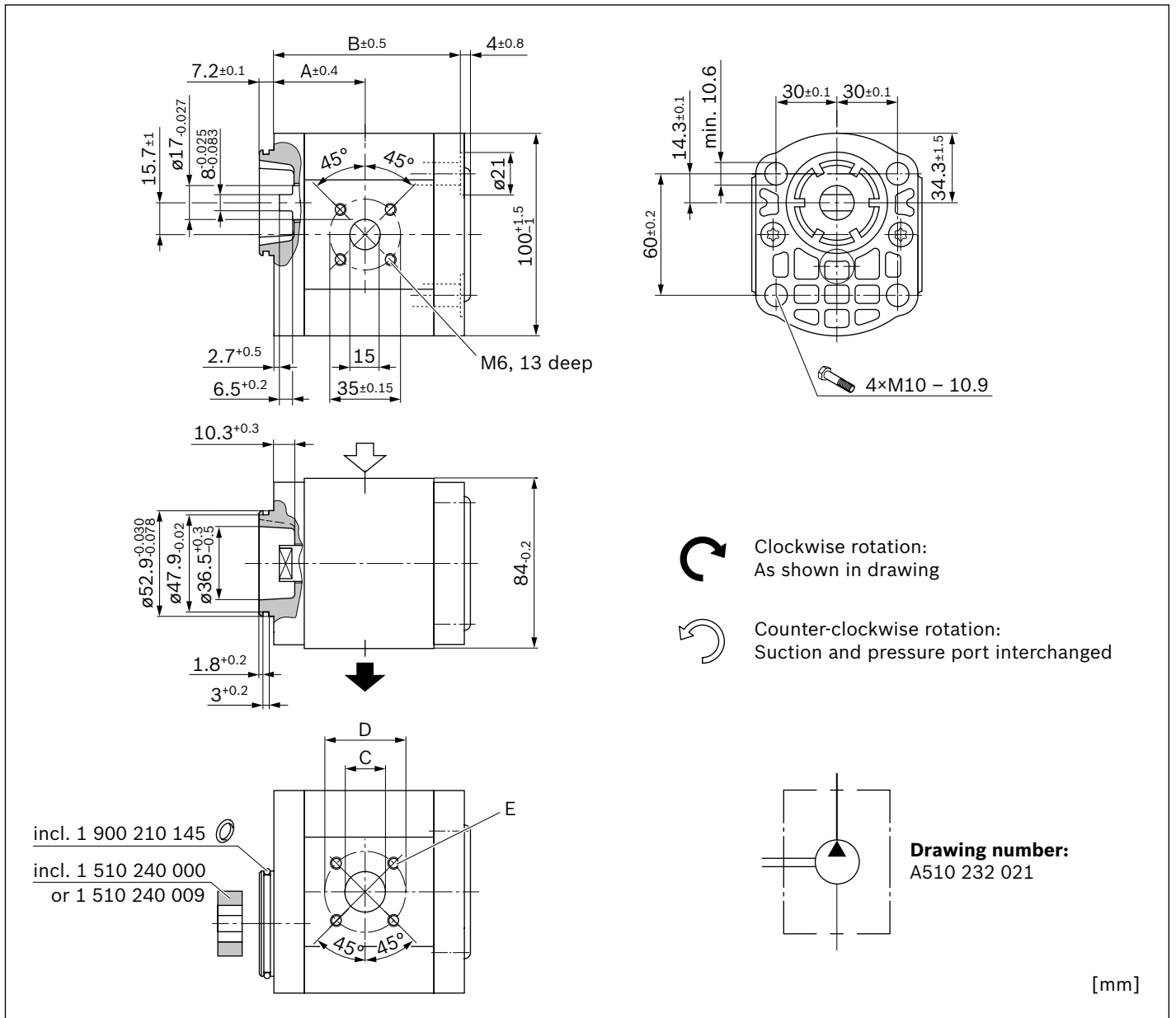


NG	Material number		Maximum pressure	Maximum	Weight	Dimensions				
	Direction of rotation		intermittent	speed		A	B	C	D	E
	counter-clockwise	clockwise	p_2	n_{max}	m	mm	mm	mm	mm	mm
5										
8	0 510 415 328		210	4000	2.7	40.7	80.3	20	15	
11	0 510 515 337		280	3500	2.8	44.5	85.3	20	15	
14	0 510 515 338	0 510 515 013	210	3000	3	45	90.3	20	15	M6; 13 mm deep
16										
19										
22		0 510 715 008 ¹⁾	210	3000	3.6	58.6	116.1	20	15	

¹⁾ Special version

Tang drive with 4-bolt mounting $\varnothing 52$ mm

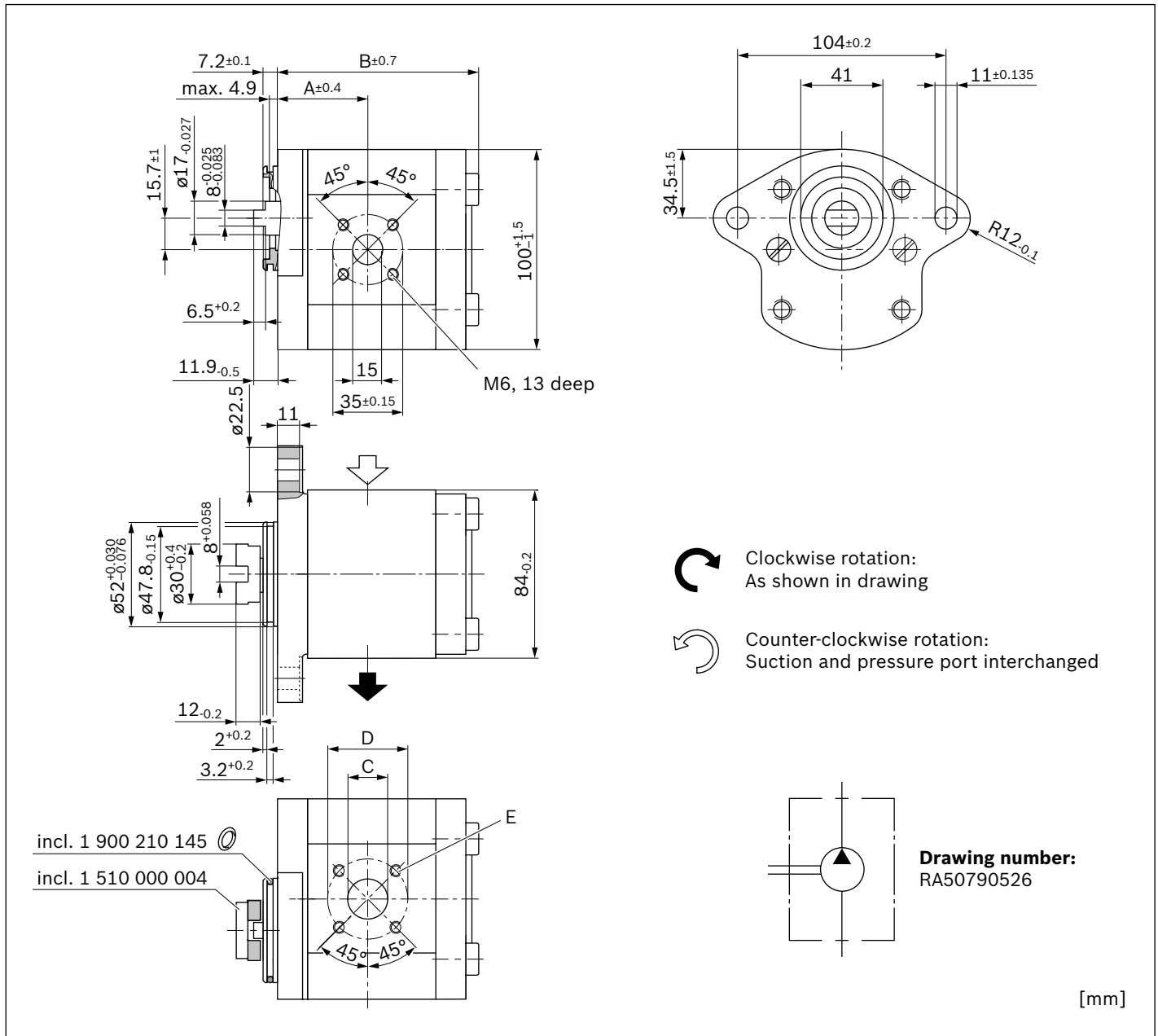
AZPF – XX – ... **NT20MB**



NG	Material number		Maximum pressure	Maximum	Weight	Dimensions				
	Direction of rotation		intermittend	speed		A	B	C	D	E
	counter-clockwise	clockwise	p ₂	n _{max}	m	mm	mm	mm	mm	mm
4	0 510 215 307	0 510 215 007	280	4000	2.5	37.4	73.7	15	40	M6; 13 mm deep
5	0 510 315 305	0 510 315 005	280	4000	2.5	38.6	76.2	15	40	
8	0 510 415 314	0 510 415 006	280	4000	2.5	40.7	80.3	20	40	
11	0 510 515 311	0 510 515 005	280	3500	2.6	44.5	85.3	20	40	
14	0 510 515 340	0 510 515 019	280	3000	2.38	45	90.3	20	40	
16	0 510 615 315	0 510 615 007	230	3000	3	45	93.7	20	40	
19	0 510 615 321	0 510 615 008	190	3000	3	45	98.7	20	40	
22	0 510 715 307	0 510 715 004	160	2500	3.2	52.6	104.1	20	40	

Tang drive with 2-bolt mounting $\varnothing 52$ mm and O-ring (compressor port)

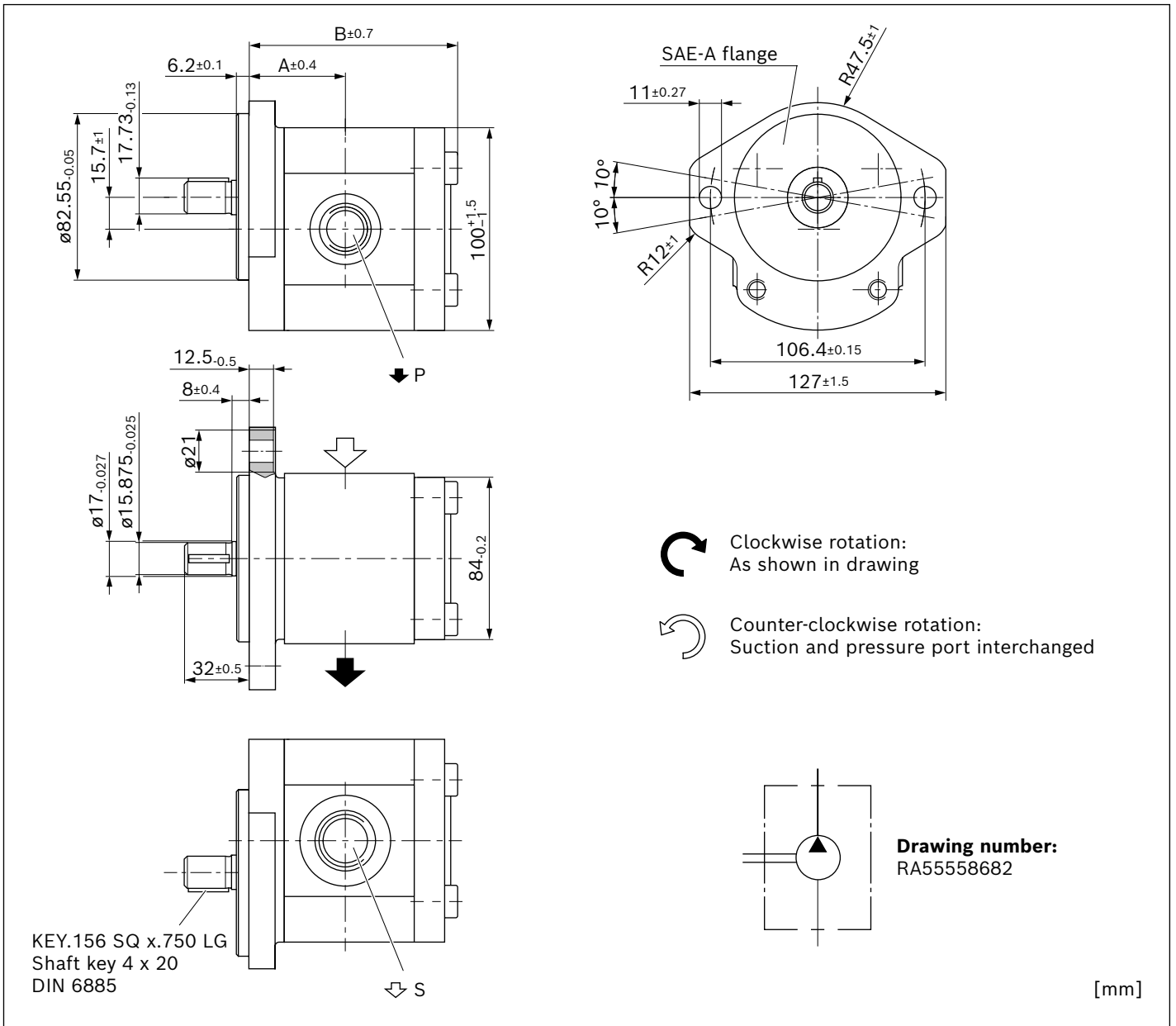
AZPF – 1X – ... **NL20KB**



NG	Material number		Maximum pressure intermittent	Maximum speed	Weight	Dimensions				
	Direction of rotation					p ₂ bar	n _{max} rpm	m kg	A mm	B mm
	counter-clockwise	clockwise								
4		0 510 225 012	280	4000	2.8	37.4	81.7	15	40	
5	0 510 325 312	0 510 325 012	280	4000	2.82	38.6	84.4	15	40	
8	0 510 425 331	0 510 425 019	280	4000	3	40.7	88.5	20	40	
11		0 510 525 025	280	3500	3.1	44.5	93.3	20	40	M6; 13 mm deep
16	0 510 625 358	0 510 625 027	230	3000	3.3	45	101.9	20	40	
19	0 510 625 368	0 510 625 032	190	3000	3.5	45	106.9	20	40	
22		0 510 725 044	160	3000	4	58.6	122.5	20	40	

Parallel keyed shaft (SAE J744 16-1 A) with 2-bolt flange Ø82.55 mm, SAE J744 82-2 (A)

AZPF – 1X – ... **QR12MB**



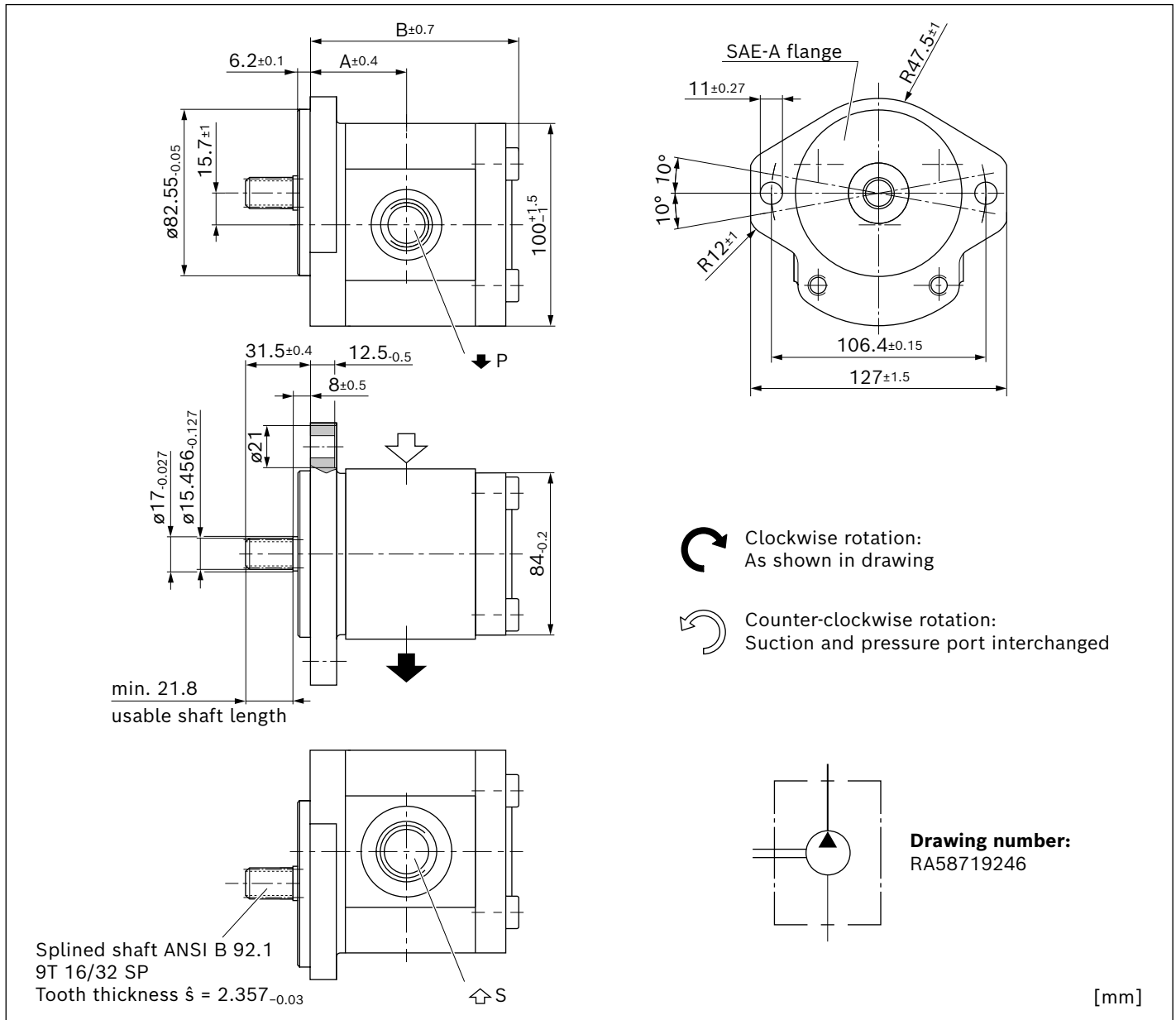
NG	Material number		Max. pressure intermittend	Maximum speed	Weight	Dimensions			
	Direction of rotation					p ₂ bar	n _{max} rpm	m kg	A mm
	counter-clockwise	clockwise							
4		0 510 225 011 ¹⁾	260	4000	3,3	39,9	85	9/16-18 UNF-2B;	9/16-18 UNF-2B;
5	0 510 325 310 ¹⁾	0 510 325 011 ¹⁾	260	4000	3,3	41,1	85,1	13 mm deep	13 mm deep
8		0 510 425 016 ¹⁾	260	4000	3,4	43,2	91,6	7/8-14 UNF-2B;	
11	0 510 525 316 ²⁾	0 510 525 015 ²⁾	260	3500	3,6	47	96,6	16 mm deep	
14		0 510 525 031	230	3000	3,65	47,5	101,6		7/8-14 UNF-2B;
16		0 510 625 021 ²⁾	200	3000	3,7	47,5	105	1 1/16-12 UN-2B;	16 mm deep
19		0 510 625 041 ²⁾	170	3500	3,9	47,5	110	19 mm deep	
22		0 510 725 059 ²⁾	140	2500	4	55,1	115,4		

¹⁾ Special version S0270

²⁾ Special version S0040

Splined shaft (SAE J744 16-4 9T) with 2-bolt flange Ø82.55 mm, SAE J744 82-2 (A)

AZPF – 1X – ... RR12MB



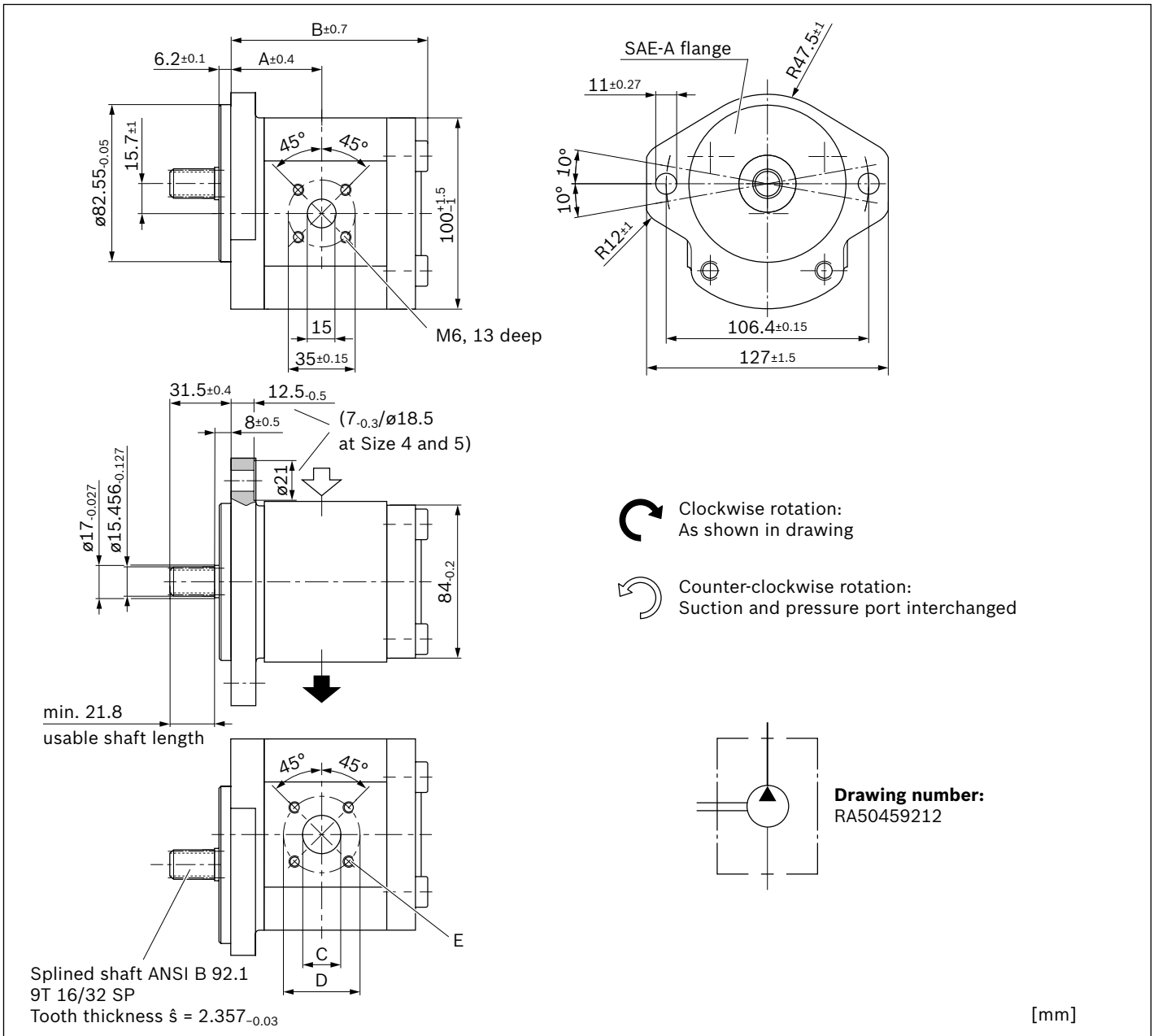
NG	Material number		Max. pressure intermittend	Maximum speed	Weight	Dimensions			
	Direction of rotation		p_2	n_{max}	m	A	B	S	P
	counter-clockwise	clockwise	bar	rpm	kg	mm	mm		
4		0 510 225 010 ²⁾	280	4000	3,15	39,9	82,7	9/16-18 UNF-2B; 13 mm deep	9/16-18 UNF-2B; 13 mm deep
5		0 510 325 010 ²⁾	280	4000	3,2	41,4	85,2		
8		0 510 425 015 ¹⁾	280	4000	3,3	43,2	91,1	7/8-14 UNF-2B; 16 mm deep	
11	0 510 525 315	0 510 525 014	280	3500	3,4	47	96,1		
14		0 510 525 041	280	3000	3,5	47,5	101,1		7/8-14 UNF-2B; 16 mm deep
16		0 510 625 020 ¹⁾	280	3000	3,75	47,5	104,5		
19	0 510 625 346 ¹⁾	0 510 625 048 ¹⁾	230	3000	3,9	47,5	109,5	1 1/16-12 UN-2B; 19 mm deep	
22		0 510 725 063 ¹⁾	210	2500	4	55,1	114,9		

¹⁾ Special version S0040

²⁾ Special version S0270

Splined shaft (SAE J744 16-4 9T) with 2-bolt flange Ø82.55 mm, SAE J744 82-2 (A)

AZPF – 1X – ... RR20MB

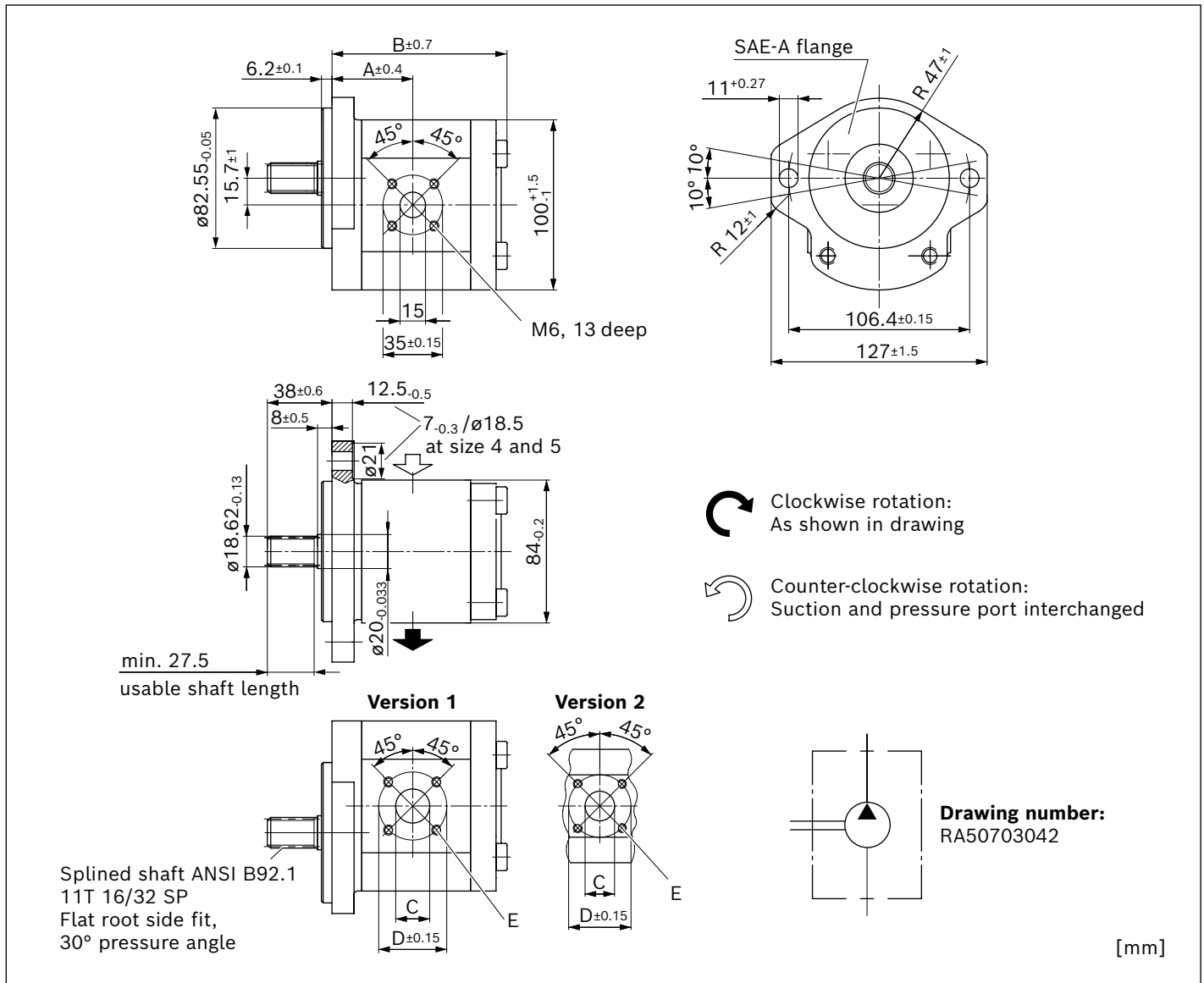


NG	Material number		Maximum pressure	Maximum	Weight	Dimensions				
	Direction of rotation		intermittent	speed		A	B	C	D	E
	counter-clockwise	clockwise	p ₂	n _{max}	m	mm	mm	mm	mm	mm
4	0 510 225 314	0 510 225 013	280	4000	3.15	39.9	85	15	40	M6; 13 mm deep
5	0 510 325 313	0 510 325 013	280	4000	3.2	41.1	87.5	15	40	
8	0 510 425 314	0 510 425 020	280	4000	3.3	43.2	91.6	20	40	
11	0 510 525 324 ¹⁾	0 510 525 019	280	3500	3.5	47	96.6	20	40	
14	0 510 525 325	0 510 525 020	280	3000	3.6	47.5	101.6	20	40	
16	0 510 625 329	0 510 625 028	280	3000	3.8	47.5	105	20	40	
19	0 510 625 330 ¹⁾	0 510 625 029 ¹⁾	230	3000	3.9	47.5	110	20	40	
22	0 510 725 361	0 510 725 077 ¹⁾	210	2500	4.1	55.1	115.4	20	40	

¹⁾ Version with shaft seal ring in FKM (Type code - ...KB)

Splined shaft (SAE J744 19-4 11T) with 2-bolt flange Ø82.55 mm, SAE J744 82-2 (A)

AZPF - 2X - ... **PR20KB**

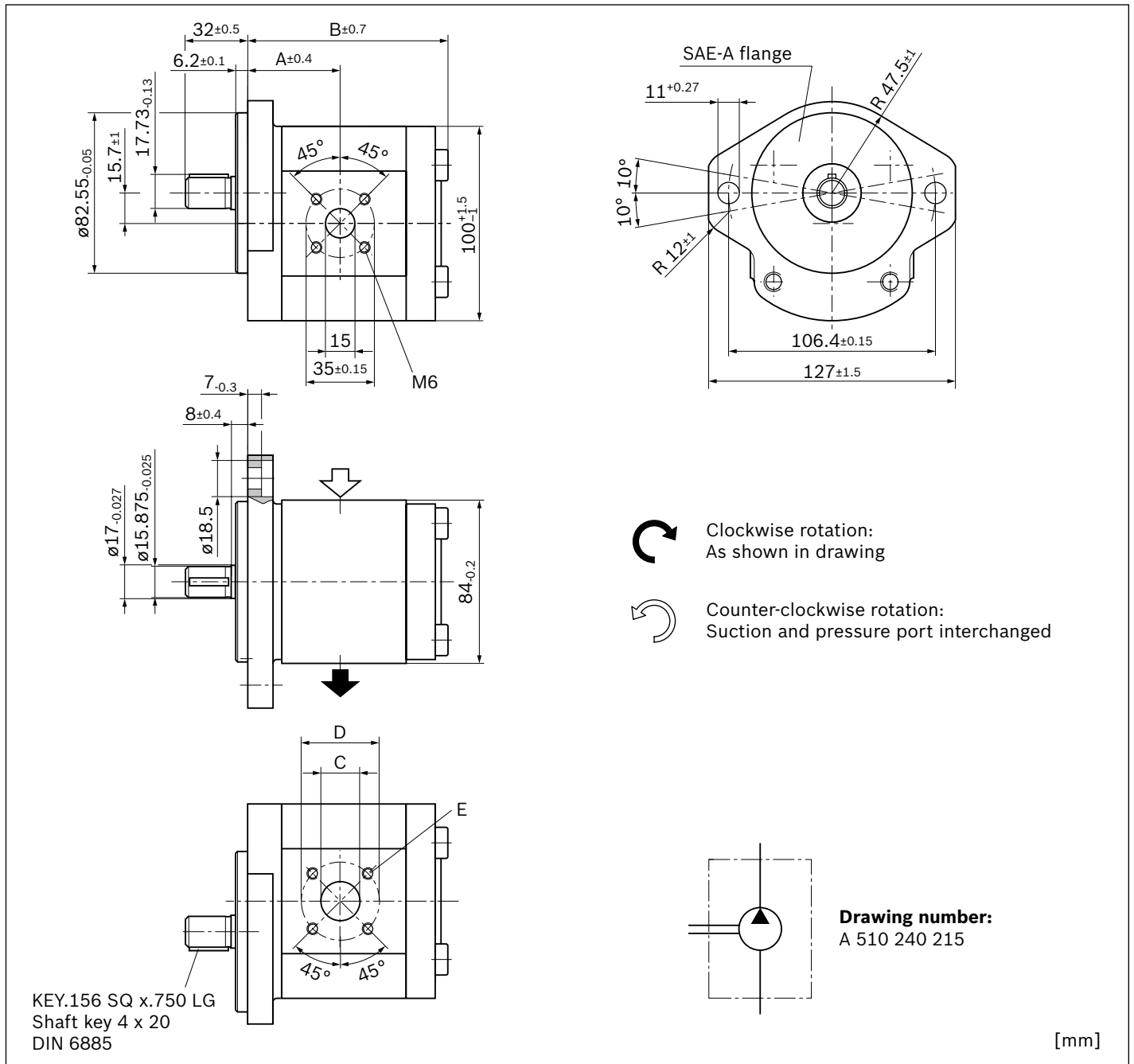


NG	Material number		Maximum pressure intermittent	Maximum speed	Weight	Dimensions					Version
	Direction of rotation					p ₂	n _{max}	m	A	B	
	counter-clockwise	clockwise	bar	rpm	kg						mm
5	0 510 325 329		210	2600	3.2	41.1	85.1	15	40		
8		0 510 425 060	280	4000	3.3	43.2	89.2	20	40		
11			280	3500		47	94.2	20	40		
14		0 510 525 108 ²⁾	280	3000	3.6	47.5	99.2	20	40	M6; 13 mm deep	1
16	0 510 625 405	0 510 625 101	280	3000	3.7	47.5	102.6	20	40		
19	0 510 625 401 ¹⁾	0 510 625 102 ¹⁾	250	3000 ³⁾	4.1	58.4	119.4	20	40		
19			250	3500		58.4	119.4	26	55	M8; 13 mm deep	2
22		0 510 725 215 ¹⁾	250	3000 ³⁾	4.3	61.1	125	20	40	M6; 13 mm deep	1
22	0 510 725 479 ²⁾		250	3500	4.3	61.1	125	26	55		
28	0 510 725 488		200	3000	4.4	65.6	134	26	55	M8; 13 mm deep	2

¹⁾ Special version S0040
²⁾ Version with sealing material in FKM (Type code - ...PB)
³⁾ Pressure in suction port at least 0.9 bar absolute

Parallel keyed shaft (SAE J744 16-1 A) with 2-bolt flange Ø82.55 mm, SAE J744 82-2 (A)

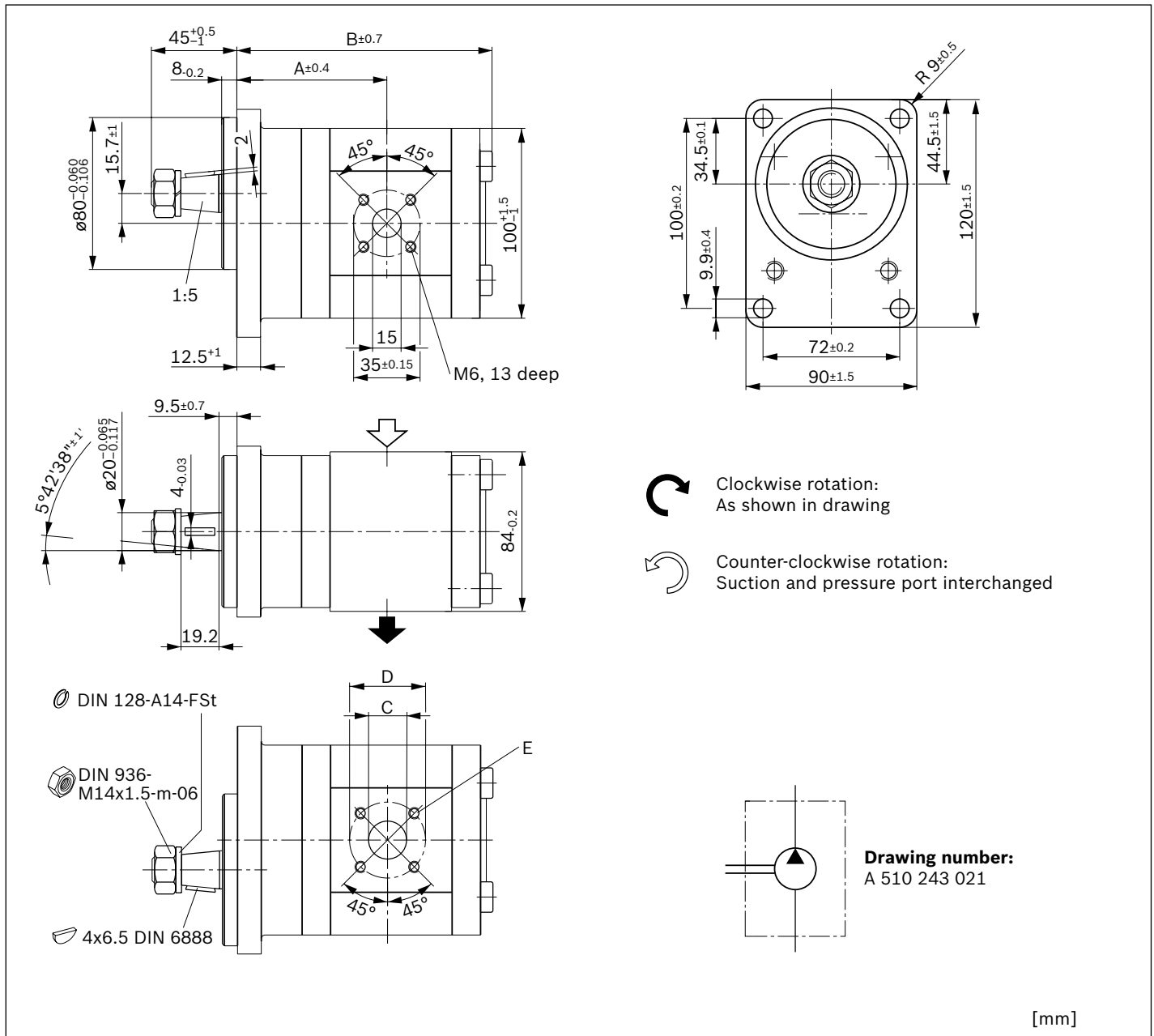
AZPF – 1X – ... **QR20MB**



NG	Material number		Maximum pressure intermittend	Maximum speed	Weight	Dimensions				
	Direction of rotation		p_2	n_{max}		A	B	C	D	E
	counter-clockwise	clockwise	bar	rpm	kg	mm	mm	mm	mm	mm
4	0 510 225 014		280	4000	3.2	39.9	84.5	15	40	
5	0 510 325 016		280	4000	3.3	41.1	87	15	40	
8	0 510 425 025		280	4000	3.3	43.2	91.1	20	40	
11	0 510 525 033		280	3500	3.5	47	96.1	20	40	M6; 13 mm deep
16	0 510 625 042		200	3000	3.8	47.5	104.5	20	40	
19	0 510 625 043		170	3000	3.9	47.5	109.5	20	40	
22	0 510 725 396	0 510 725 060	140	2500	3.9	55.1	114.9	20	40	

Tapered shaft 1:5 with outrigger bearing $\varnothing 80$ mm, type 1

AZPF - 11 - ... SA20MB

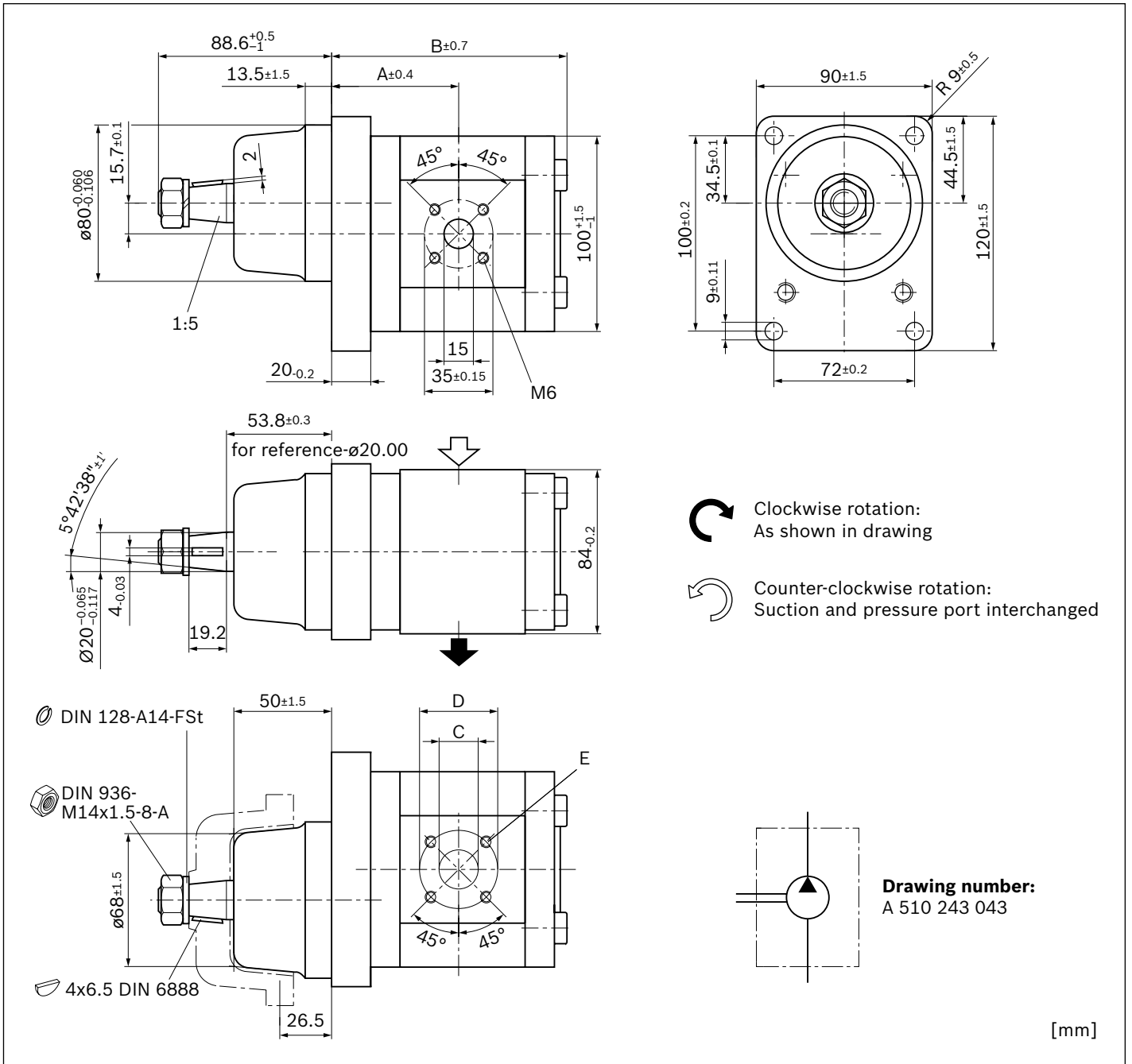


NG	Material number		Maximum pressure intermittent	Maximum speed	Weight	Dimensions			
	Direction of rotation					p_2 bar	n_{max} rpm	m kg	A mm
	counter-clockwise	clockwise							
4	0 510 245 300	0 510 245 001	280	4000	3.1	71.1	114.2	15	
5	0 510 345 300	0 510 345 001	280	4000	3.1	72.3	116.7	15	
8	0 510 445 300	0 510 445 001 ¹⁾	280	4000	3.3	74.4	120.8	20	
11	0 510 545 300	0 510 545 001	280	3500	3.5	78.2	125.8	20	
14			280	3000		78.7	130.8	20	M6; 13 mm deep
16	0 510 645 300	0 510 645 004	230	3000	3.6	78.7	134.2	20	
19		0 510 645 002	190	3000	3.9	78.7	139.2	20	
22			160	2500		92.3	156.6	20	

¹⁾ Version with shaft seal ring in FKM (Type code - ...KB)

Tapered shaft 1:5 with outrigger bearing $\varnothing 80$ mm, type 2

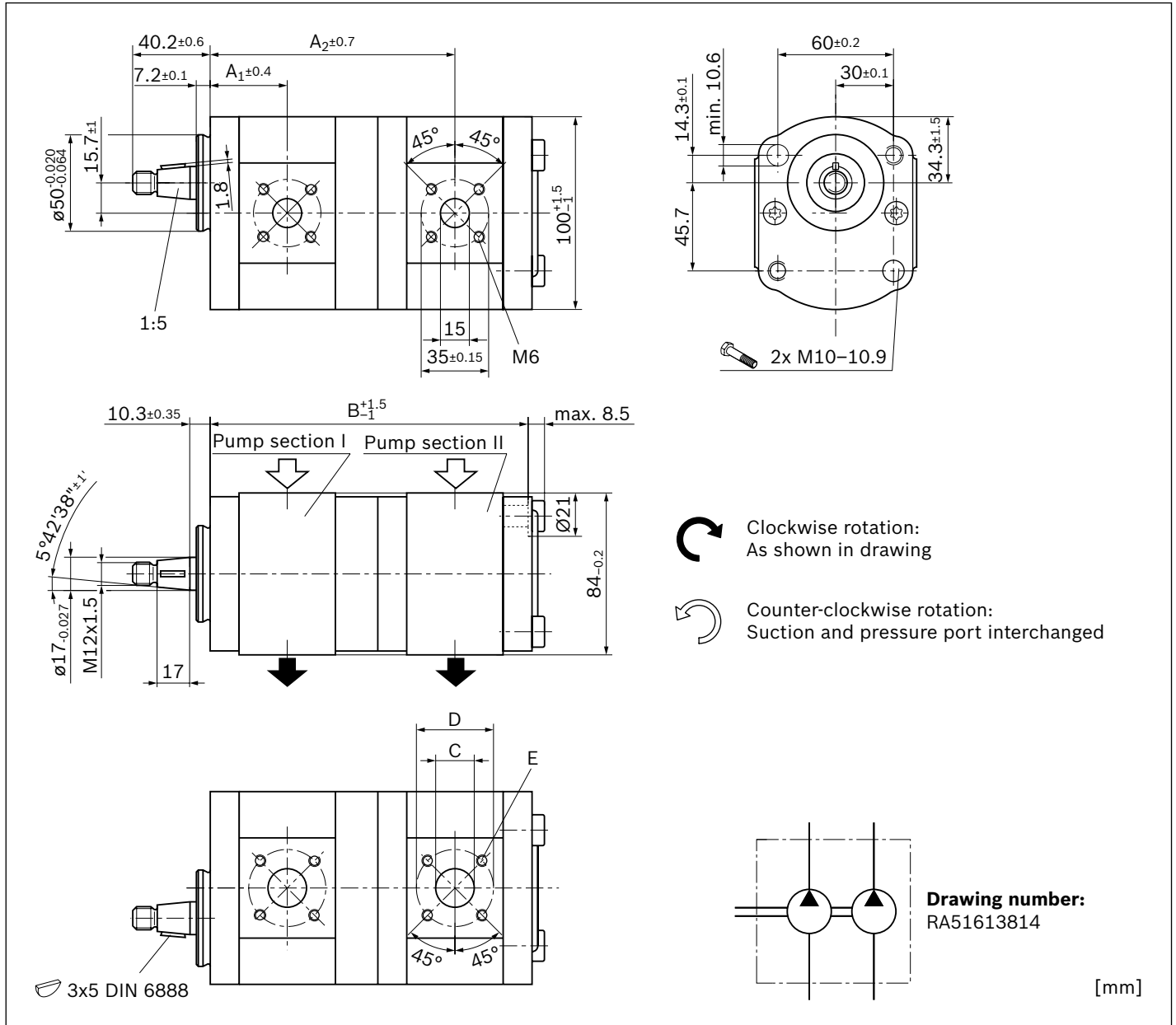
AZPF - 1X - ... **SG20MB**



NG	Material number		Maximum pressure intermittend	Maximum speed	Weight	Dimensions				
	Direction of rotation		p_2	n_{max}		A	B	C	D	E
	counter-clockwise	clockwise	bar	rpm	kg	mm	mm	mm	mm	mm
11	0 510 545 003	0 510 545 003	280	3500	3.8	64.5	113.8	20	40	
14	0 510 545 302	0 510 545 002	280	3000	4	65	118.8	20	40	
16	0 510 645 005	0 510 645 005	230	3000	4.1	65	122	20	40	M6; 13 mm deep
19	0 510 645 003	0 510 645 003	230	3000	4.3	65	127	20	40	

Tapered shaft 1:5 with 2-bolt mounting $\varnothing 50$ mm

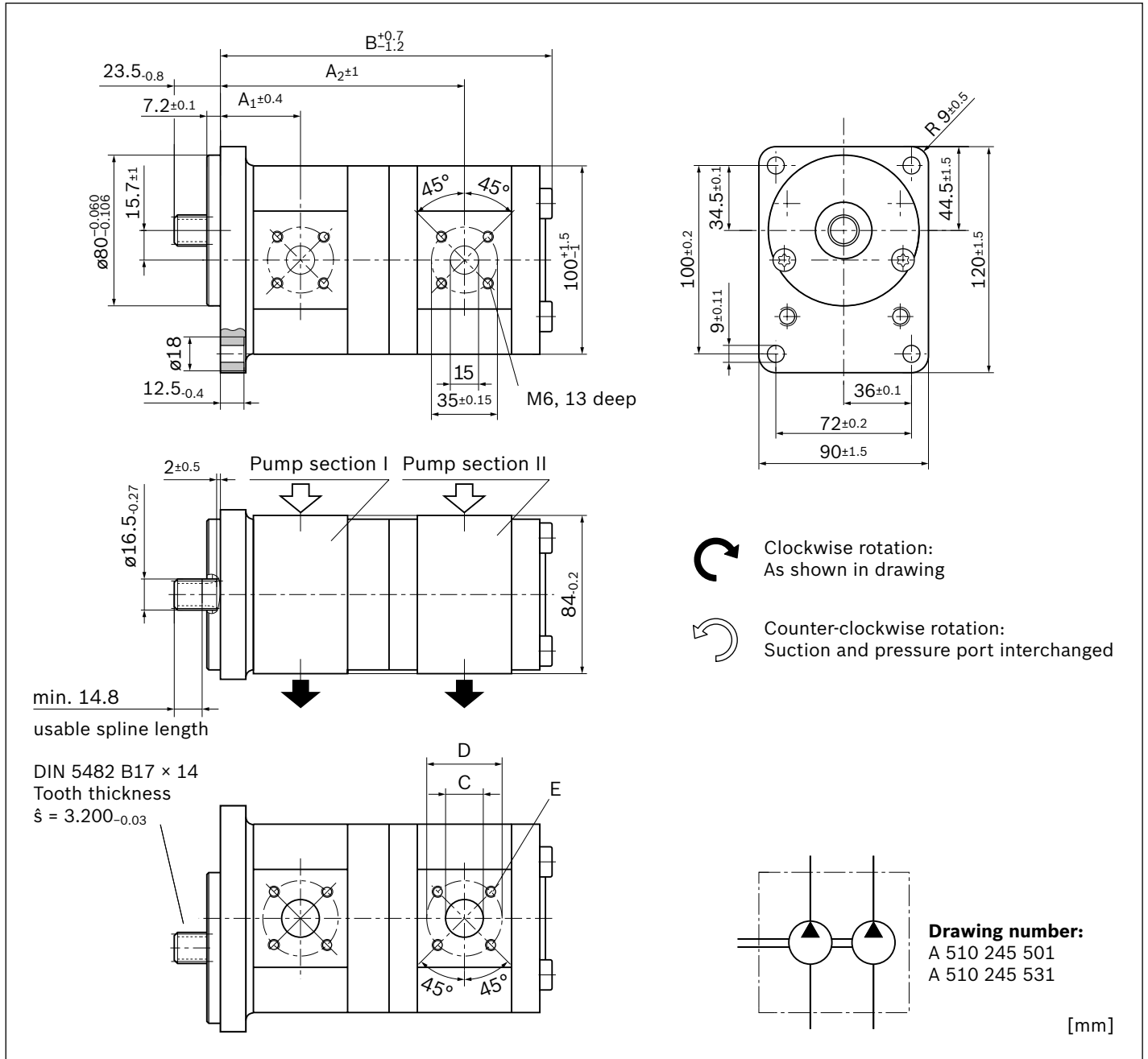
AZPFF - 12 - ... **CP2020KB**



NG		Material number		Maximum pressure intermittend		Maximum speed	Weight	Dimensions					
P _I	P _{II}	Direction of rotation		P _{2 I}	P _{2 II}	n _{max}	m	A ₁	A ₂	B	C	D	E
		counter-clockwise	clockwise	bar	bar	rpm	kg	mm	mm	mm	mm	mm	mm
5	4	0 510 365 305		280	280	4000	4.8	38.6	121.6	157.9	15	40	
8	4	0 510 465 324	0 510 465 011	280	280	4000	4.4	40.7	125.7	162	20 ¹⁾	40	
8	5	0 510 465 344	0 510 465 032	280	280	4000	4.4	40.7	126.9	164.5	20 ¹⁾	40	
8	8	0 510 465 320	0 510 465 023	280	280	4000	5.4	40.7	129	168.6	20	40	
11	4	0 510 565 387		280	280	3500	4.5	44.5	130.7	167	20 ¹⁾	40	
11	5	0 510 565 319	0 510 565 095	280	280	3500	4.5	44.5	131.9	169.5	20 ¹⁾	40	
11	8	0 510 565 389	0 510 565 014	280	280	3500	4.6	44.5	134	173.6	20	40	
11	11	0 510 565 376	0 510 565 061	280	280	3500	4.8	44.5	137.8	178.6	20	40	
14	4	0 510 565 406		280	280	3000	4.6	45	135.7	172	20 ¹⁾	40	
14	8	0 510 565 335	0 510 565 072	280	280	3000	4.8	45	139	178.6	20	40	
14	11	0 510 565 393		280	280	3000	5	45	142.8	183.6	20	40	
14	14		0 510 565 417	280	280	3000	5	45	143.3	188.6	20	40	
16	4	0 510 665 348		280	280	3000	4.75	45	139.1	175.4	20 ¹⁾	40	M6; 13 mm deep
16	5	0 510 665 337		280	280	3000	4.8	45	140.3	177.9	20 ¹⁾	40	
16	8	0 510 665 328	0 510 665 135	280	280	3000	6	45	142.4	182	20	40	
16	11	0 510 665 382	0 510 665 152	280	280	3000	5	45	146.2	187	20	40	
16	14	0 510 665 381	0 510 665 144	280	280	3000	5.1	45	146.7	192	20	40	
16	16	0 510 665 330	0 510 665 052	280	230	3000	6.4	45	146.7	195.4	20	40	
22	8	0 510 765 345		210	280	2500	5.1	52.6	152.8	192.4	20	40	
22	11	0 510 765 309	0 510 765 049	210	280	2500	5.2	52.6	156.7	197.7	20	40	
22	16	0 510 765 343	0 510 765 028	210	230	2500	5.5	52.6	157.1	205.8	20	40	
19	4	0 510 665 369		230	280	3000	4.9	45	144.1	180.4	20 ¹⁾	40	
19	5			230	280	3000	4.8	45	145.3	183.2	20 ¹⁾	40	
19	11	0 510 665 368		230	280	3000	5.2	45	146.2	192	20	40	
19	14			230	280	3000	5	45	151.7	197	20	40	
19	19	0 510 665 336		230	190	3000	6.6	45	151.7	205.4	20	40	

¹⁾ At pump section with size 4 and 5: C = 15 mm

Splined shaft (DIN 5482 B17 x 14) with rectangular flange Ø80 mm
AZPFF – 1X – ... **FB2020MB**

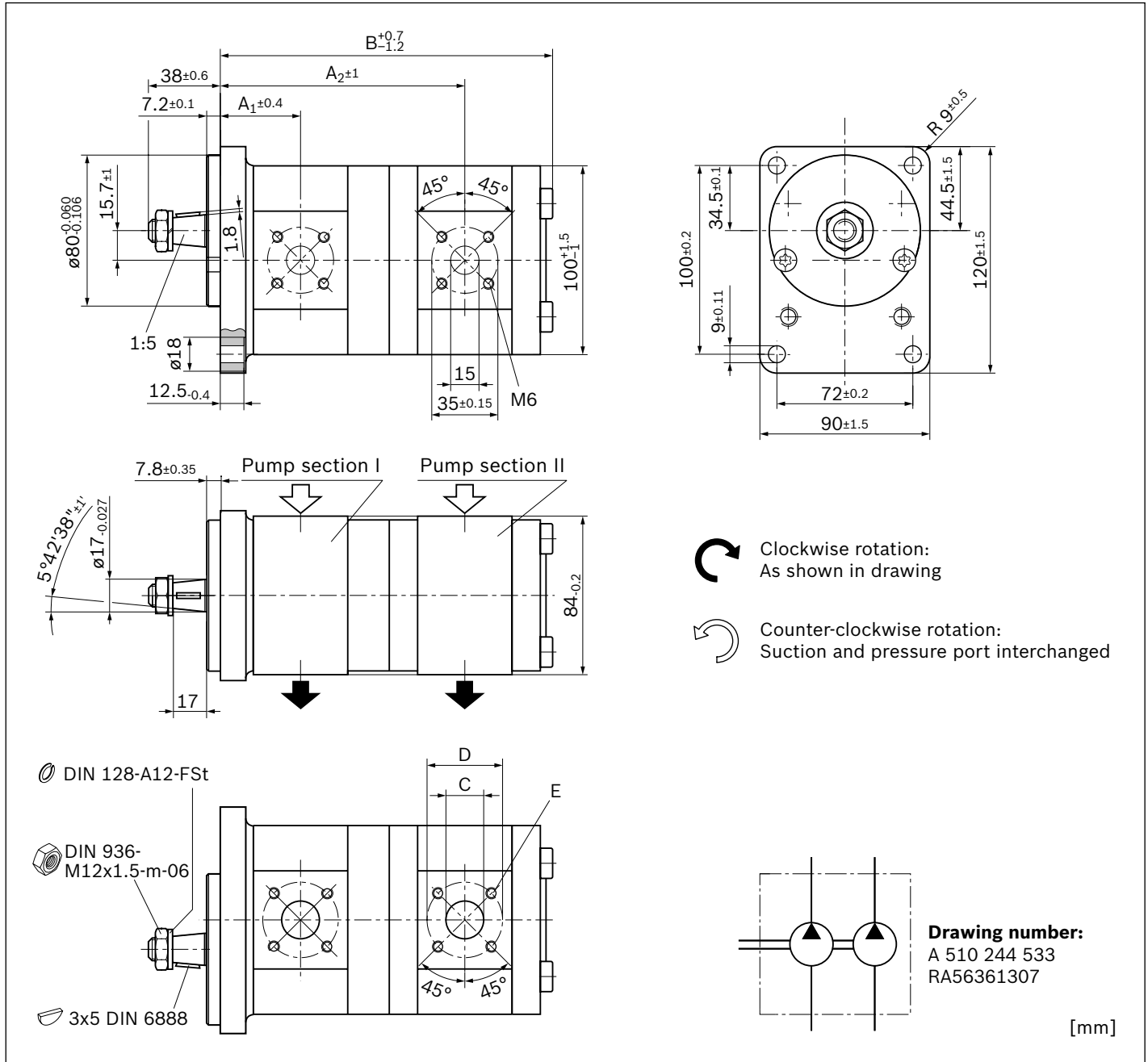


NG		Material number		Maximum pressure intermittend		Maximum speed	Weight	Dimensions					
P _I	P _{II}	Direction of rotation		P _{2 I}	P _{2 II}	n _{max}	m	A ₁	A ₂	B	C	D	E
		counter-clockwise	clockwise	bar	bar	rpm	kg	mm	mm	mm	mm	mm	mm
8	5	0 510 465 345		280	280	4000	5.1	43.2	129.4	174	20 ¹⁾	40	
8	8	0 510 465 326		280	280	4000	5.1	43.2	131.5	178.1	20	40	
11	4		0 510 565 032	280	280	3500	6.3	47	133.2	176.5	20 ¹⁾	40	
11	5	0 510 565 332	0 510 565 034	280	280	3500	6.35	47	134.4	179	20 ¹⁾	40	
11	8		0 510 565 018	280	280	3500	6.4	47	136.5	183.1	20	40	
11	11	0 510 565 328	0 510 565 035	280	280	3500	6.5	47	140.3	188.1	20	40	
14	4	0 510 565 367		280	280	3000	6.4	47.5	138.2	181.5	20 ¹⁾	40	
14	5	0 510 565 069		280	280	3500	6.5	47.5	139.4	183.7	20 ¹⁾	40	
14	8	0 510 565 356	0 510 565 019	280	280	3000	6.5	47.5	141.5	188.1	20	40	
16	4			280	280	3000	6.7	47.5	141.6	184.9	20	40	
16	8	0 510 665 333	0 510 665 064	280	280	3000	6.8	47.5	144.9	191.5	20	40	M6; 13 mm deep
16	11	0 510 665 347	0 510 665 036	280	280	3000	6.9	47.5	148.7	196.5	20	40	
16	16	0 510 665 334	0 510 665 029	280	230	3000	7.3	47.5	149.2	204.9	20	40	
22	5	0 510 765 317	0 510 765 022	210	280	2500	5.8	61.1	165.2	209.8	20 ¹⁾	40	
22	8	0 510 765 331		210	280	2500	6.18	61.1	167.3	213.9	20	40	
22	16	0 510 765 341		210	230	2500	6.4	61.1	171.6	227.3	20	40	
22	22	0 510 765 338		210	160	2500	7.05	61.1	185.2	249.7	20	40	
19	4			230	280	3000	5.5	47.5	146.6	189	20	40	
19	11	0 510 665 375		230	280	3000	5.9	47.5	153.7	201.5	20	40	
19	19		0 510 665 097	230	190	3000	6.3	47.5	154.2	214.9	20	40	

¹⁾ At pump section with size 4 and 5: C = 15 mm

Tapered shaft 1:5 with rectangular flange $\varnothing 80$ mm

AZPFF - 1X - ... CB2020MB

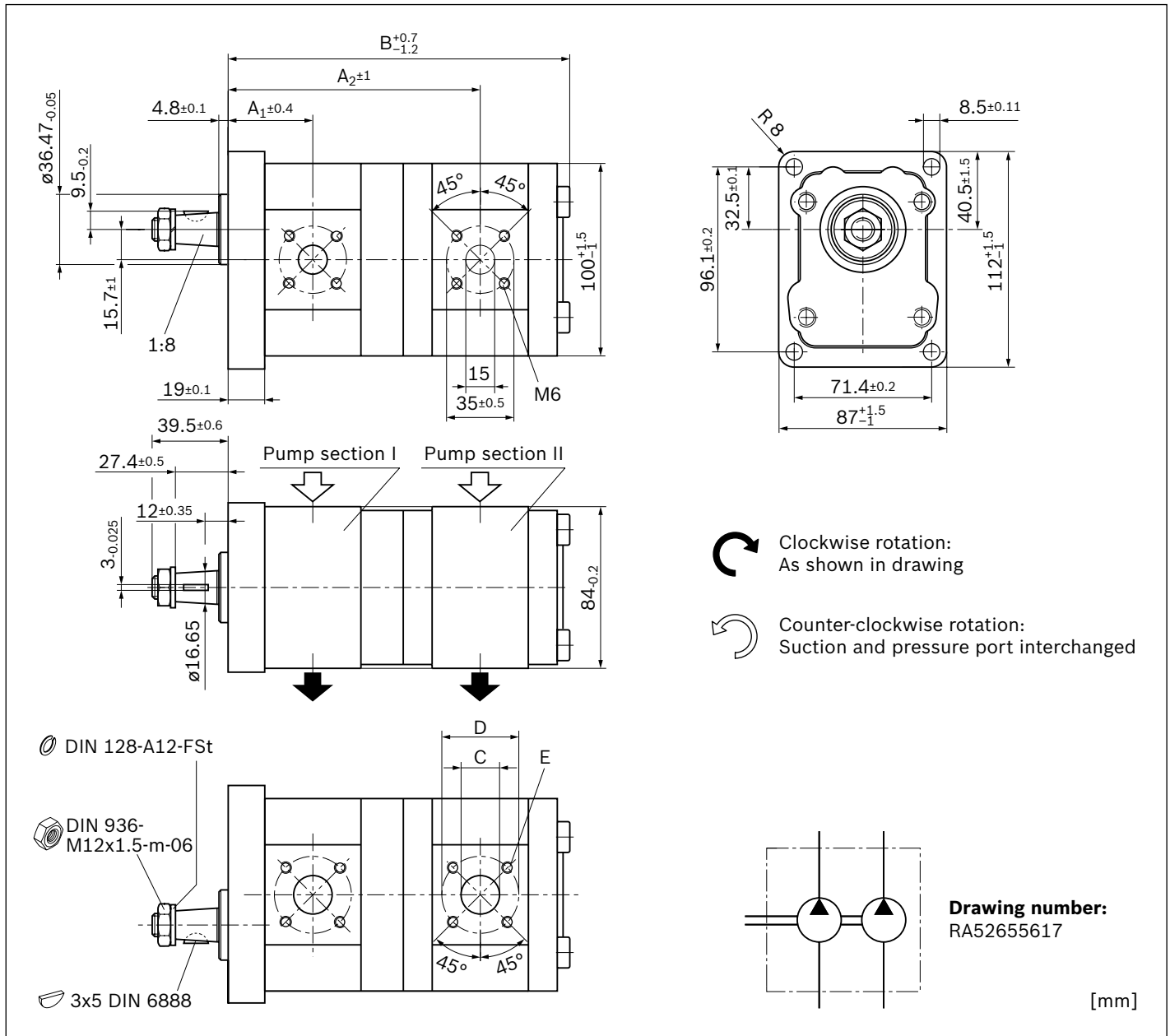


NG		Material number		Maximum pressure intermittend		Maximum speed	Weight	Dimensions					
P _I	P _{II}	Direction of rotation		P _{2 I}	P _{2 II}	n _{max}	m	A ₁	A ₂	B	C	D	E
		counter-clockwise	clockwise	bar	bar	rpm	kg	mm	mm	mm	mm	mm	
4	4	0 510 900 002	0 510 900 001	280	280	4000	4.5	39.9	121.6	164.4	15	40	
5	4	0 510 900 005		280	280	4000	4.9	41.1	124.1	166.9	15	40	
5	5	0 510 900 004	0 510 900 003	280	280	4000	5	41.1	125.3	169.4	15	40	
8	16		0 510 900 042	280	230	3000	5.6	43.2	135.8	191	20	40	
8	4	0 510 900 008	0 510 900 051	280	280	4000	5.1	43.2	128.2	171	20 ¹⁾	40	
8	5	0 510 900 009	0 510 900 007	280	280	4000	5.1	43.2	129.4	173.5	20 ¹⁾	40	
8	8	0 510 900 010	0 510 900 006	280	280	4000	5.2	43.2	131.5	177.6	20	40	
11	4	0 510 900 015	0 510 900 012	280	280	3500	5.2	47	133.2	176	20 ¹⁾	40	
11	5	0 510 900 017	0 510 900 046	280	280	3500	5.2	47	134.4	178.5	20 ¹⁾	40	
11	8	0 510 900 016	0 510 900 044	280	280	3500	5.4	47	136.5	182.6	20	40	
11	11	0 510 900 018	0 510 900 039	280	280	3500	5.5	47	140.3	187.6	20	40	
14	4	0 510 900 036		280	280	3000	5.3	47.5	138.2	181	20 ¹⁾	40	
14	5		0 510 900 060	280	280	3000	5.4	47.5	139.4	183.5	20 ¹⁾	40	
14	8	0 510 900 020	0 510 900 011	280	280	3000	5.5	47.5	141.5	187.6	20	40	
14	8		0 510 565 012	280	280	3000	5.6	47.5	141.5	188.1	20	40	
14	11	0 510 900 019	0 510 900 013	280	280	3000	5.6	47.5	145.3	192.6	20	40	
14	11	0 510 565 353	0 510 565 033	280	280	3000	5.7	47.5	145.3	193.1	20	40	
14	14		0 510 900 014	280	280	3000	5.8	47.5	145.8	197.6	20	40	
14	14			280	280	3000	5.9	47.5	145.8	198.1	20	40	
16	4	0 510 900 059	0 510 900 021	280	280	3000	5.5	47.5	141.6	184.4	20 ¹⁾	40	
16	5	0 510 900 028		280	280	3000	5.5	47.5	142.8	186.9	20 ¹⁾	40	
16	8	0 510 900 035	0 510 900 022	280	280	3000	5.6	47.5	144.9	191	20	40	
16	11	0 510 900 029	0 510 900 023	280	280	3000	5.7	47.5	148.7	196	20	40	
16	14		0 510 900 061	280	280	3000	5.9	47.5	149.2	201	20	40	
16	16	0 510 900 030	0 510 900 024	280	230	3000	6	47.5	149.2	204.4	20	40	M6; 13 mm deep
19	4	0 510 900 043	0 510 900 049	230	280	3000	5.6	47.5	146.6	189.4	20 ¹⁾	40	
19	5		0 510 665 067	230	280	3000	5.6	47.5	147.8	192.4	20 ¹⁾	40	
19	5		0 510 900 027	230	280	3000	5.6	47.5	147.8	191.9	20 ¹⁾	40	
19	8	0 510 900 031	0 510 900 047	230	280	3000	5.8	47.5	149.9	196	20	40	
19	8	0 510 665 325	0 510 665 024	230	280	3000	6.7	47.5	149.9	196.5	20	40	
19	11	0 510 900 032	0 510 900 052	230	280	3000	5.9	47.5	153.7	201	20	40	
19	11	0 510 665 326		230	280	3000	6.9	47.5	153.9	201.5	20	40	
19	14	0 510 900 053		230	280	3000	6	47.5	154.2	206	20	40	
19	16	0 510 665 327		230	230	3000	7.1	47.5	154.2	209.9	20	40	
19	16	0 510 900 033	0 510 900 026	230	230	3000	6.1	47.5	154.2	209.4	20	40	
19	19	0 510 900 034	0 510 900 025	230	210	3000	6.2	47.5	154.2	214.4	20	40	
19	19	0 510 665 400	0 510 665 025	230	190	3000	6.2	47.5	154.2	214.9	20	40	
22	4		0 510 900 050	210	280	2500	5.8	55.1	152	194.8	20 ¹⁾	40	
22	5	0 510 900 055	0 510 900 045	210	280	2500	5.8	55.1	153.2	197.3	20 ¹⁾	40	
22	8	0 510 900 057	0 510 900 040	210	280	2500	5.9	55.1	155.3	201.4	20	40	
22	8		0 510 765 023	230	280	3000	5.9	61	167.3	213.9	20	40	
22	11		0 510 900 054	210	280	2500	6	55.1	159.1	206.4	20	40	
22	11	0 510 765 320		210	250	3000	6.3	61	171.1	218.9	20	40	
22	14	0 510 900 048	0 510 900 058	210	280	2500	6.2	55.1	159.6	211.4	20	40	
22	16	0 510 900 041	0 510 900 037	210	230	2500	6.2	55.1	159.6	214.8	20	40	
22	16	0 510 765 340		210	230	3000	6.55	61	171.6	227.3	20	40	
22	22	0 510 900 056	0 510 900 038	210	180	2500	6.5	55.1	167.2	225.2	20	40	
22	22		0 510 765 012	210	160	3000	6.5	61	185.2	249.7	20	40	

1) At pump section with size 4 and 5: C = 15 mm

Tapered shaft 1:8 with rectangular flange $\varnothing 36.47$ mm

AZPFF - 1X - ... **HO2020MB**



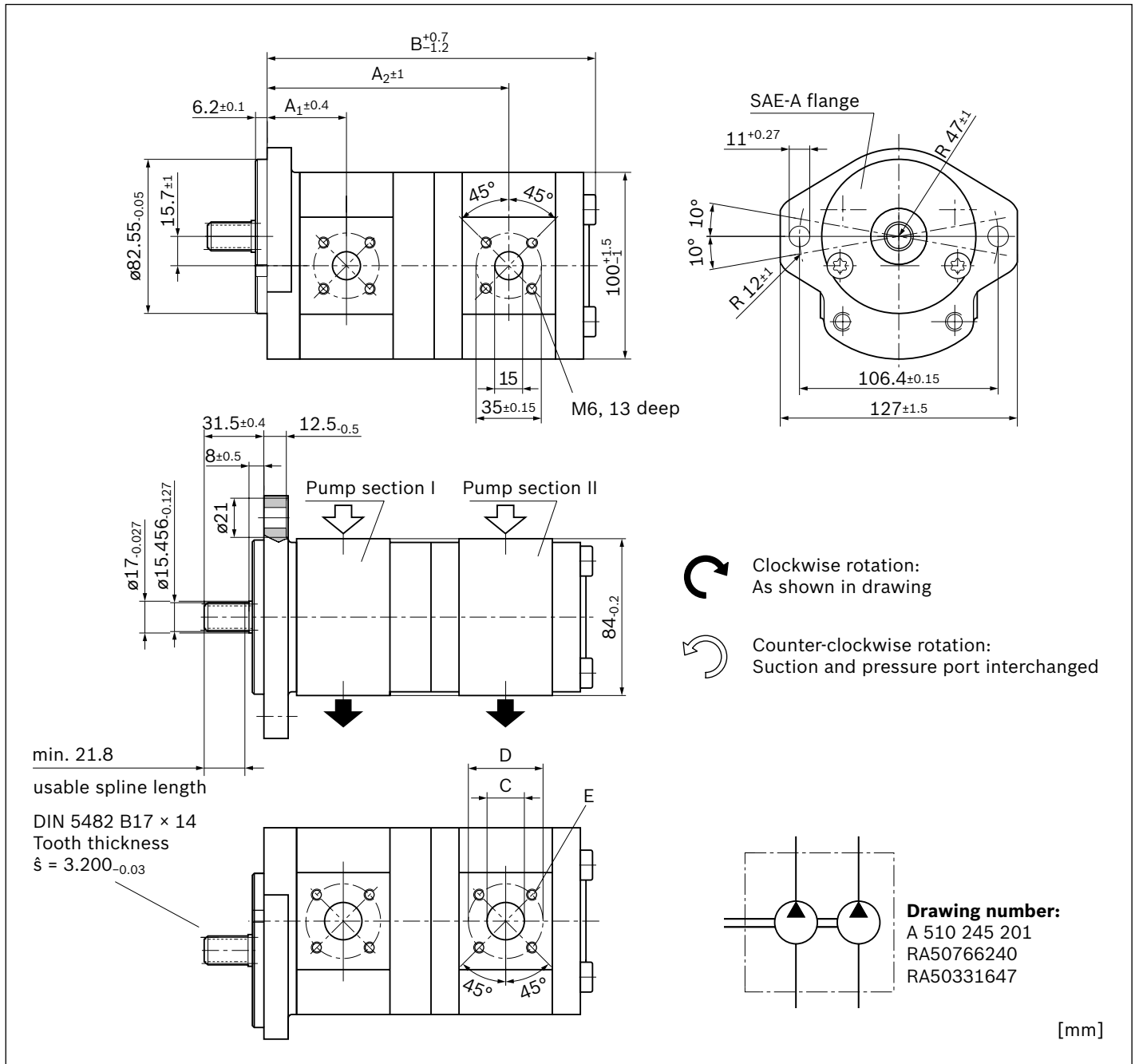
NG		Material number		Maximum pressure intermittent		Maximum speed	Weight	Dimensions					
P _I	P _{II}	Direction of rotation		P _{2 I}	P _{2 II}	n _{max}	m	A ₁	A ₂	B	C	D	E
		counter-clockwise	clockwise	bar	bar	rpm	kg	mm	mm	mm	mm	mm	mm
4	4		0 510 901 500	280	280	4000	4.7	41.4	123.1	165.9	15	40	
8	5	0 510 901 512		280	280	4000	4.9	44.7	130.9	175	20 ²⁾	40	
8	8		0 510 901 504	280	280	4000	5	44.7	133	179.1	20	40	
11	4		0 510 901 509	280	280	3500	5	48.5	134.7	177.5	20 ²⁾	40	
11	5	0 510 565 436 ¹⁾	0 510 901 503	280	280	3500	5.1	48.5	135.9	180	20 ²⁾	40	
14	5	0 510 565 435 ¹⁾		280	280	3000	5.2	49	140.9	185	20 ²⁾	40	
14	11		0 510 901 513	280	280	3000	5.5	49	146.8	194.1	20	40	
16	5		0 510 901 510	280	280	3000	5.3	49	144.3	188.4	20 ²⁾	40	
16	8	0 510 901 514		280	280	3000	5.4	49	146.4	192.5	20	40	M6; 13 mm deep
16	14		0 510 901 515	280	280	3000	5.7	49	150.7	202.5	20	40	
16	16		0 510 901 501	280	230	3000	5.8	49	150.7	205.9	20	40	
19	8		0 510 901 507	230	280	3000	5.5	49	151.4	197.5	20	40	
19	11		0 510 901 508	230	280	3000	5.6	49	155.2	202.5	20	40	
19	16		0 510 901 502	230	230	3000	5.9	49	155.7	210.9	20	40	
19	19	0 510 901 506		230	190	3000	6	49	155.7	215.9	20	40	
22	16	0 510 901 511		210	230	2500	6.1	56.6	161.1	216.3	20	40	
22	19		0 510 901 505	210	190	2500	6.2	56.6	161.7	220.3	20	40	

¹⁾ Version with shaft seal ring in FKM (Type code - ...KB)

²⁾ At pump section with size 4 and 5: C = 15 mm

Splined shaft (SAE J744 16-4 9T) with 2-bolt flange Ø82.55 mm

AZPFF – 1X – ... **RR2020MB**



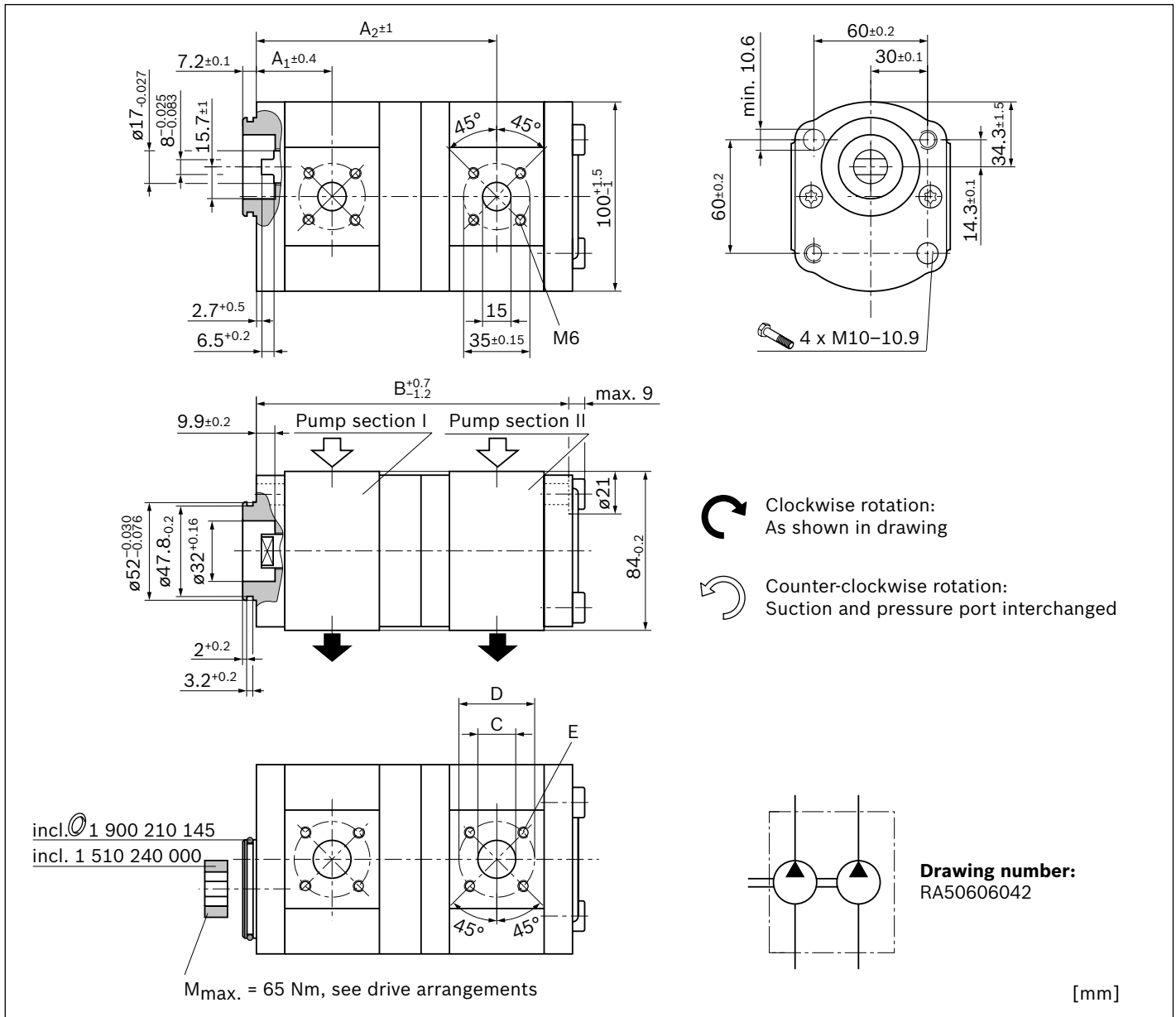
NG		Material number		Maximum pressure intermittend		Maximum speed	Weight	Dimensions					
P _I	P _{II}	Direction of rotation		P _{2 I}	P _{2 II}	n _{max}	m	A ₁	A ₂	B	C	D	E
		counter-clockwise	clockwise	bar	bar	rpm	kg	mm	mm	mm	mm	mm	
5	4	0 510 901 029		280	280	4000	4.9	41.1	124.1	166.9	15	40	
5	5		0 510 901 042	280	280	4000	5	41.1	125.3	169.4	15	40	
8	4	0 510 901 032	0 510 901 034	280	280	4000	5	43.2	128.2	171	20 ²⁾	40	
8	5	0 510 901 018	0 510 901 030	280	280	4000	5.1	43.2	129.4	173.5	20 ²⁾	40	
8	8		0 510 901 021	280	280	4000	5.1	43.2	131.5	177.6	20	40	
11	4		0 510 901 024	280	280	3500	5.1	47	133.2	176	20 ²⁾	40	
11	4		0 510 565 022	280	280	3500	5.2	47	133.2	176.5	20 ²⁾	40	
11	5	0 510 901 015	0 510 901 000	280	280	3500	5.2	47	134.4	178.5	20 ²⁾	40	
11	5			280	280	3500	5.2	47	134.4	179	20 ²⁾	40	
11	8	0 510 901 031	0 510 901 037	280	280	3500	5.3	47	136.5	182.2	20	40	
11	11	0 510 901 009	0 510 901 035 ¹⁾	280	280	3500	5.5	47	140.3	187.6	20	40	
14	5	0 510 901 033		280	280	3000	5.4	47.5	139.4	183.5	20 ²⁾	40	
14	8		0 510 901 016	280	280	3000	5.5	47.5	141.5	187.6	20	40	
14	11			280	280	3000	5.7	47.5	145.3	193.1	20	40	
14	11	0 510 901 001	0 510 901 011	280	280	3000	5.6	47.5	145.3	192.6	20	40	
14	14		0 510 901 036	280	280	3000	5.7	47.5	145.8	197.6	20	40	
16	4		0 510 901 028	280	280	3000	5.4	47.5	141.6	184.4	20	40	
16	5	0 510 901 014	0 510 901 008	280	280	3000	5.4	47.5	142.8	186.9	20 ²⁾	40	
16	8	0 510 901 006	0 510 901 005	280	280	3000	5.5	47.5	144.9	191	20	40	
16	11	0 510 901 012	0 510 901 002	280	280	3000	5.7	47.5	148.7	196	20	40	M6; 13 mm deep
16	11	0 510 665 354		280	280	3000	5.8	47.5	148.7	196	20	40	
16	16	0 510 901 027	0 510 901 022	280	280	3000	5.9	47.5	149.2	204.4	20	40	
19	4		0 510 901 044	230	280	3000	5.5	47.5	146.6	189.4	20 ²⁾	40	
19	5	0 510 901 041	0 510 901 043	230	280	3000	5.6	47.5	147.8	191.9	20 ²⁾	40	
19	8	0 510 901 017	0 510 901 003	230	280	3000	5.7	47.5	149.9	196	20	40	
19	8		0 510 665 126 ¹⁾	230	280	3000	5.6	47.5	149.9	196	20	40	
19	8			230	280	3000	5.8	47.5	149.9	196	20	40	
19	11	0 510 665 435	0 510 901 004	230	280	3000	5.8	47.5	153.7	201	20	40	
19	14	0 510 901 040	0 510 901 025	230	280	3000	5.9	47.5	154.2	206	20	40	
19	16	0 510 901 039	0 510 901 045	230	230	3000	6	47.5	154.2	209.4	20	40	
19	19	0 510 901 010		230	190	3000	6.2	47.5	154.2	214.4	20	40	
19	19		0 510 665 132	230	190	3000	6.1	47.5	154.2	214.4	20	40	
22	4		0 510 901 023	210	280	2500	5.7	55.1	152	194.8	20 ²⁾	40	
22	5		0 510 901 020	210	280	2500	5.7	55.1	153.2	197.3	20 ²⁾	40	
22	8		0 510 765 016	180	280	2500	7.6	55.1	155.3	201.4	20	40	
22	11	0 510 901 019	0 510 901 026	210	280	2500	5.9	55.1	159.1	206.4	20	40	
22	14	0 510 901 013	0 510 901 007	210	280	2500	6.1	55.1	159.6	211.4	20	40	
22	22	0 510 901 038		210	180	2500	6.4	55.1	167.2	225.2	20	40	

¹⁾ Version with shaft seal ring in FKM (Type code - ...KB)

²⁾ At pump section with size 4 and 5: C = 15 mm

Tang drive with 2-bolt mounting Ø52 mm and O-ring

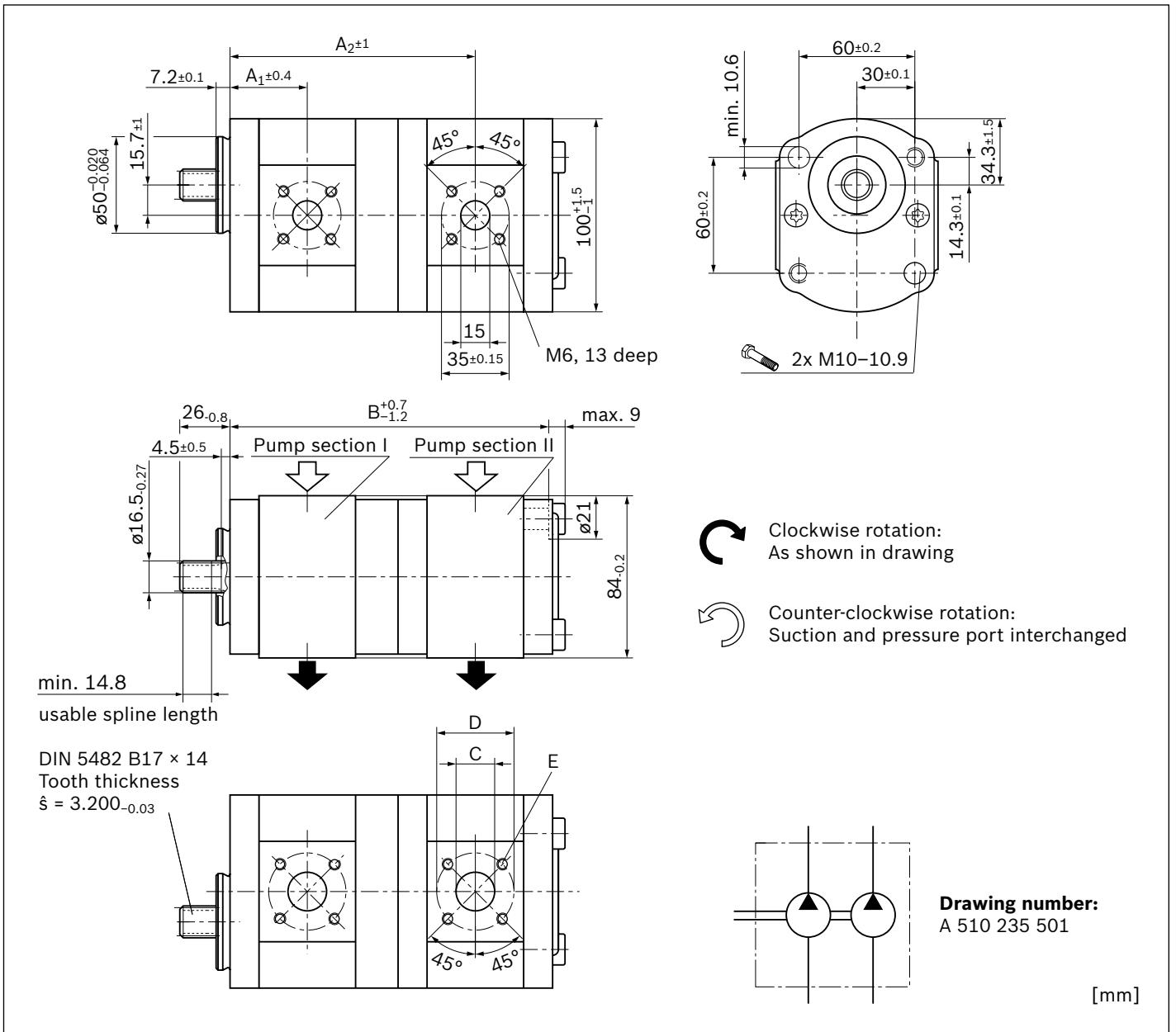
AZPFF – 1X – ... **NM2020MB**



NG	Material number		Maximum pressure intermittend		Maximum speed n_{max} rpm	Weight m kg	Dimensions					
	P_I	P_{II}	$P_{2 I}$ bar	$P_{2 II}$ bar			A_1 mm	A_2 mm	B mm	C mm	D mm	E
5	4	0 510 365 314	0 510 365 010	280	280	4.2	38.6	121.6	157.9	15	40	
8	4		0 510 465 012	280	280	4.4	40.7	125.7	162	20 ¹⁾	40	
8	5	0 510 465 346		280	280	4.4	40.7	126.9	164.5	20 ¹⁾	40	
8	8		0 510 465 008	280	280	5.6	40.7	129	168.6	20	40	
11	4		0 510 565 015	280	280	4.5	44.5	130.7	167	20 ¹⁾	40	M6; 13 mm deep
11	5		0 510 565 016	280	280	4.6	44.5	131.9	169.5	20 ¹⁾	40	
11	8	0 510 565 379	0 510 565 078	280	280	4.65	44.5	134	173.6	20	40	
16	16	0 510 665 339	0 510 665 030	280	230	5.2	45	146.7	195.4	20	40	
22	8	0 510 765 312		210	280	5.2	52.5	152.8	192.4	20	40	

¹⁾ At pump section with size 4 and 5: C = 15 mm

Splined shaft (DIN 5482 B17 x 14) with 2-bolt mounting $\varnothing 50$ mm
AZPFF – 1X – ... **FP2020MB**



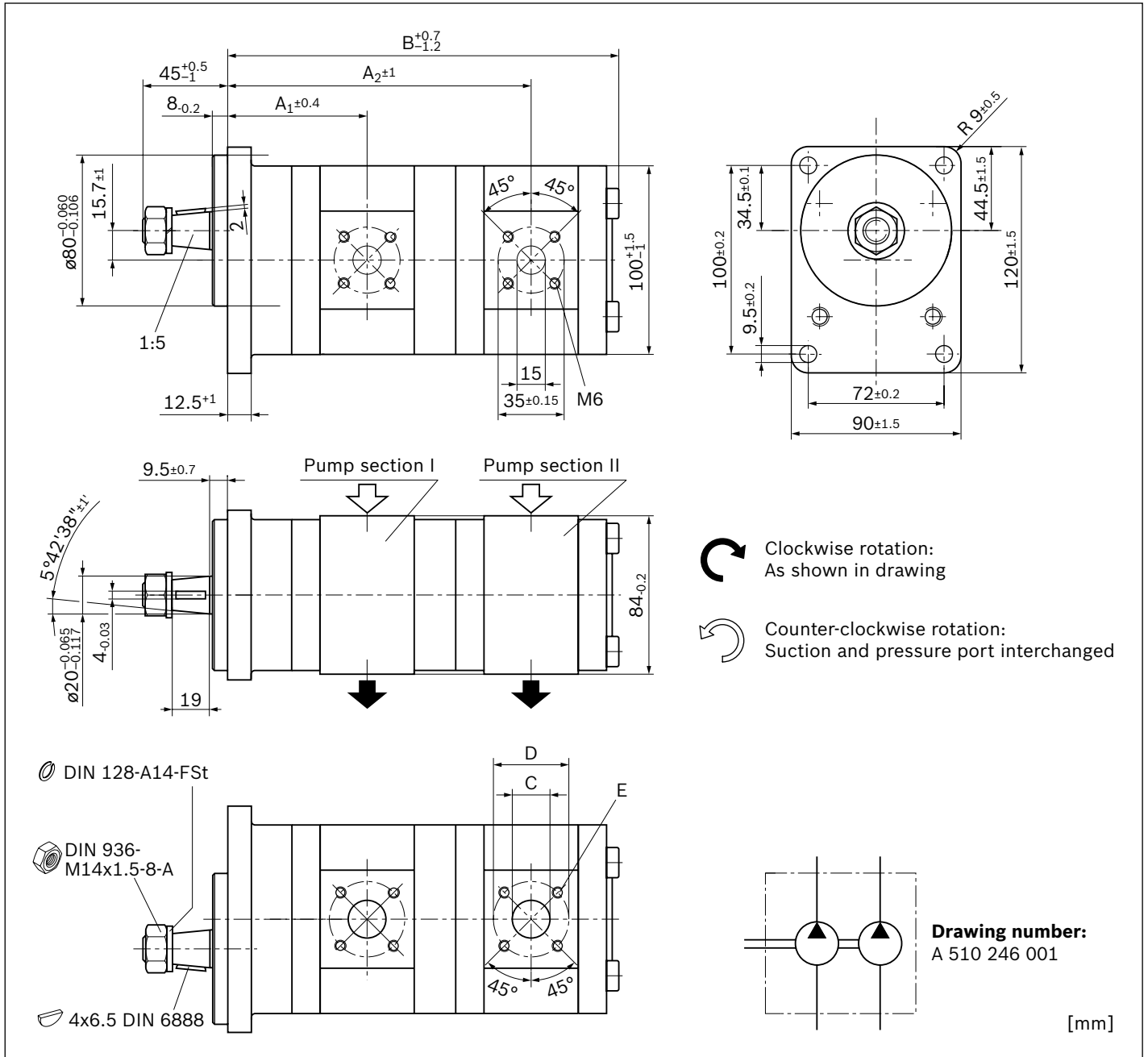
Drawing number:
A 510 235 501

[mm]

NG	Material number		Maximum pressure intermittend		Maximum speed n_{max}	Weight m	Dimensions					
			$p_{2 \text{ I}}$	$p_{2 \text{ II}}$			A_1	A_2	B	C	D	E
P_{I}	P_{II}	Direction of rotation		bar	rpm	kg	mm	mm	mm	mm	mm	mm
		counter-clockwise	clockwise									
8	4	0 510 465 355		280	280	4.4	40.7	125.7	162	20 ¹⁾	40	
11	8	0 510 565 385		280	280	4.6	44.5	134	173.6	20	40	
16	8		0 510 665 071	280	280	4.85	45	142.4	182	20	40	
16	11		0 510 665 076	280	280	4.98	45	146.2	187	20	40	M6; 13 mm deep
16	14	0 510 665 404		280	280	5.12	45	146.7	192	20	40	
16	16	0 510 665 376	0 510 665 062	280	230	5.2	45	146.7	195.4	20	40	

¹⁾ At pump section with size 4 and 5: C = 15 mm

Tapered shaft 1:5 with outrigger bearing $\varnothing 80$ mm, type 1
AZPFF - 1X - ... SA2020MB



Drawing number:
A 510 246 001

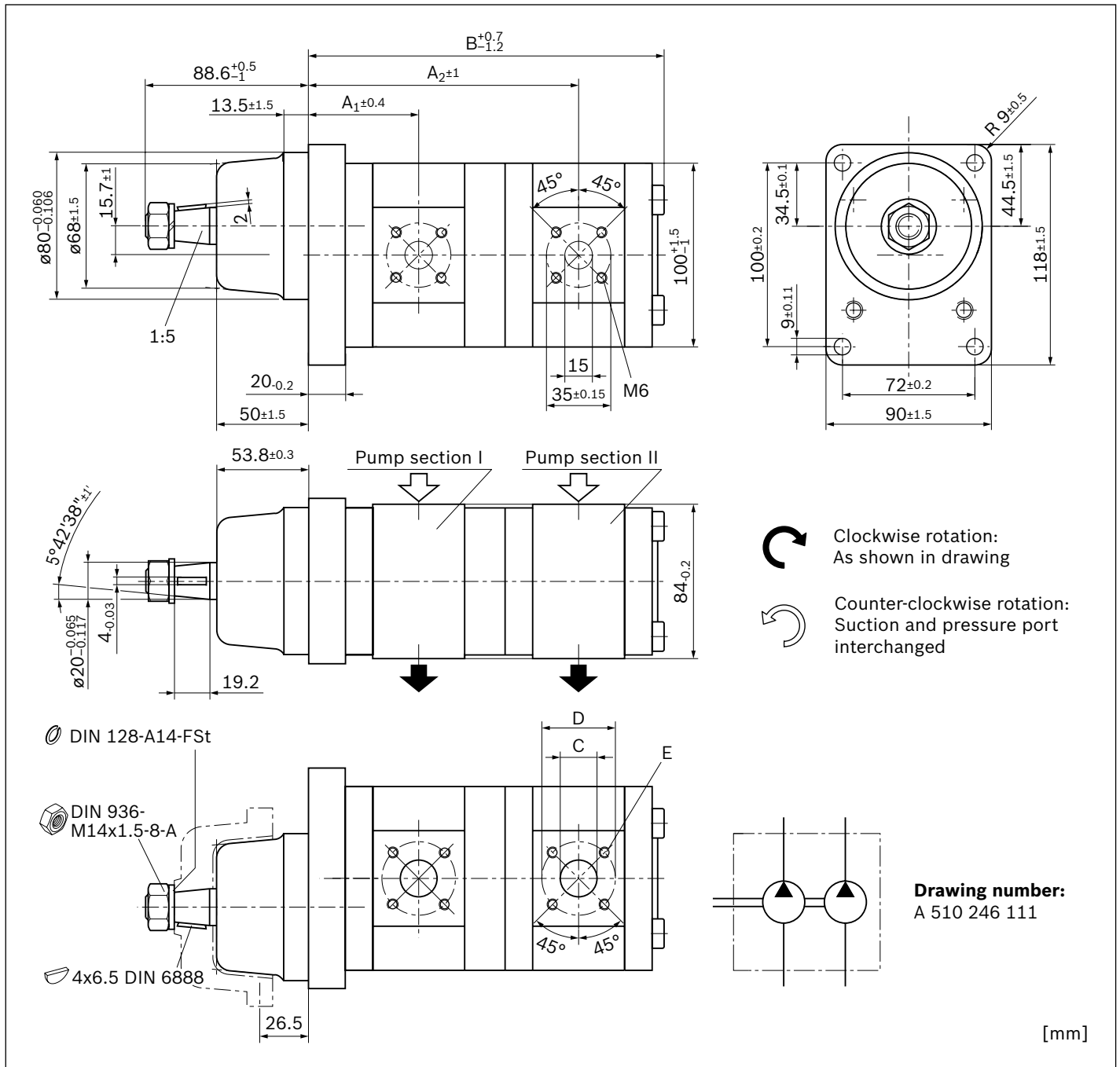
[mm]

NG		Material number		Maximum pressure intermittent		Maximum speed	Weight	Dimensions					
P _I	P _{II}	Direction of rotation		P _{2 I}	P _{2 II}	n _{max}	m	A ₁	A ₂	B	C	D	E
		counter-clockwise	clockwise	bar	bar	rpm	kg	mm	mm	mm	mm	mm	mm
4	4	0 510 255 300		280	280	4000	4.8	71.3	153	197	15	40	
5	4	0 510 355 301		280	280	4000	5	72.6	155.5	199.5	15	40	
8	5	0 510 455 300	0 510 455 001	280	280	4000	5.2	74.6	160.8	206.1	20 ¹⁾	40	
8	8	0 510 455 301	0 510 455 002	280	280	4000	5.3	74.6	163	210.2	20	40	
11	5	0 510 555 300	0 510 555 001	280	280	3500	5.3	79	165.8	211.1	20 ¹⁾	40	
11	8	0 510 555 301	0 510 555 002	280	280	3500	5.4	79	168	215.2	20	40	
11	11	0 510 555 302	0 510 555 003	280	280	3500	5.5	79	172.3	220.2	20	40	M6; 13 mm deep
16	4	0 510 655 300	0 510 655 001	280	280	3000	6.4	79	173	217	20 ¹⁾	40	
16	5	0 510 655 301	0 510 655 002	280	280	3000	5.5	79	174.2	219.5	20 ¹⁾	40	
16	8	0 510 655 302	0 510 655 003	280	280	3000	5.6	79	176.3	223.6	20	40	
16	11	0 510 655 303	0 510 655 004	280	280	3000	5.7	79	180.7	228.6	20	40	
16	16	0 510 655 304	0 510 655 005	280	230	3000	6	79	180.7	237	20	40	

¹⁾ At pump section with size 4 and 5: C = 15 mm

Tapered shaft 1:5 with outrigger bearing $\varnothing 80$ mm, type 2

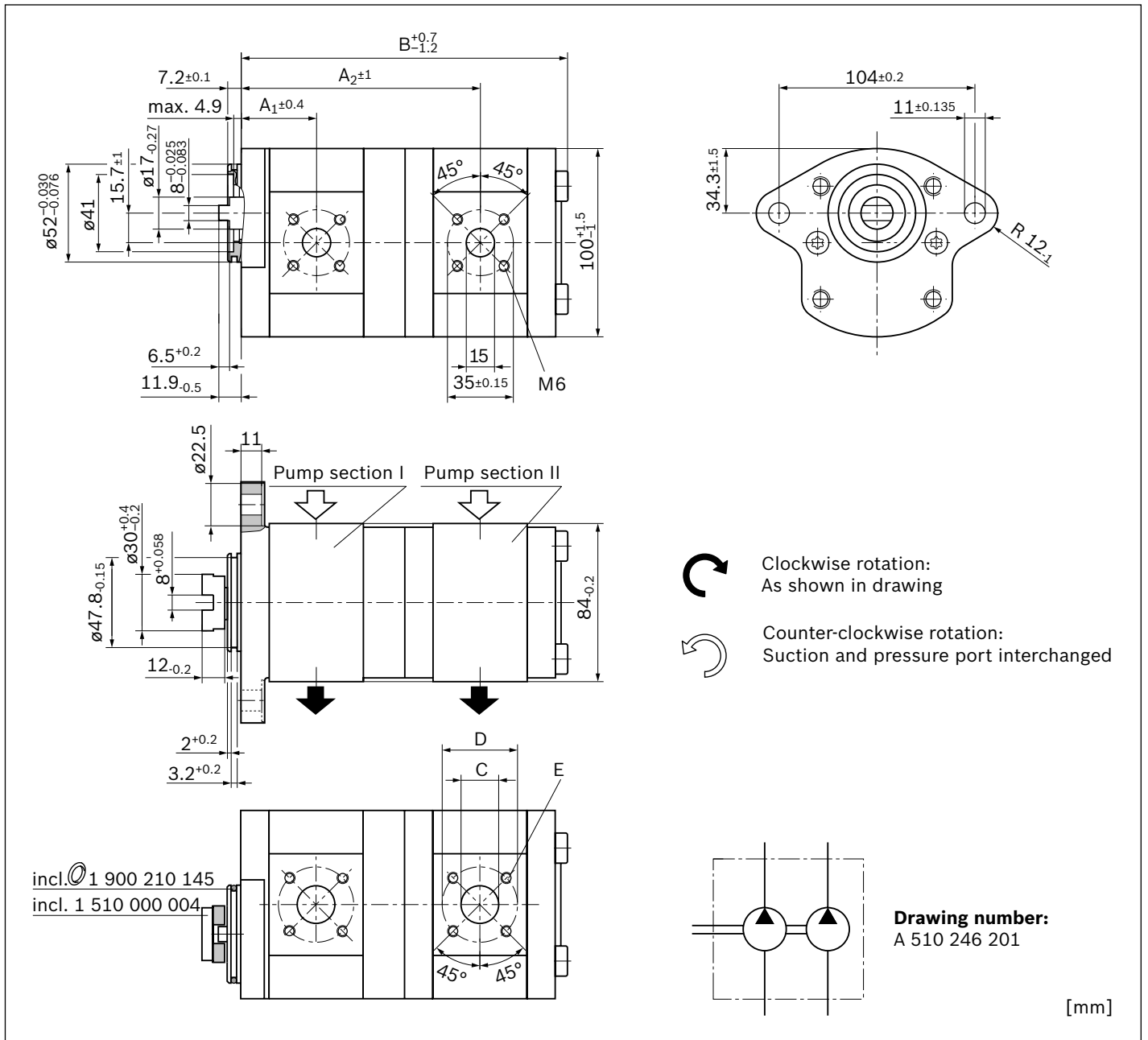
AZPFF - 1X - ... **SG2020PB**



NG	Material number	Maximum pressure intermittend		Maximum speed	Weight	Dimensions						
		p _{2 I}	p _{2 II}			A ₁	A ₂	B	C	D	E	
P _I	P _{II}	Direction of rotation		n _{max}	m	A ₁	A ₂	B	C	D	E	M6; 13 mm deep
		clockwise		rpm	kg	mm	mm	mm	mm	mm		
16	16	0 510 655 007	280	280	3000	6.2	65	166.7	221.9	20	40	
19	19	0 510 655 011	230	190	3000	6.6	65	171.7	231.9	20	40	

Tang drive with 2-bolt mounting $\varnothing 52$ mm and O-ring

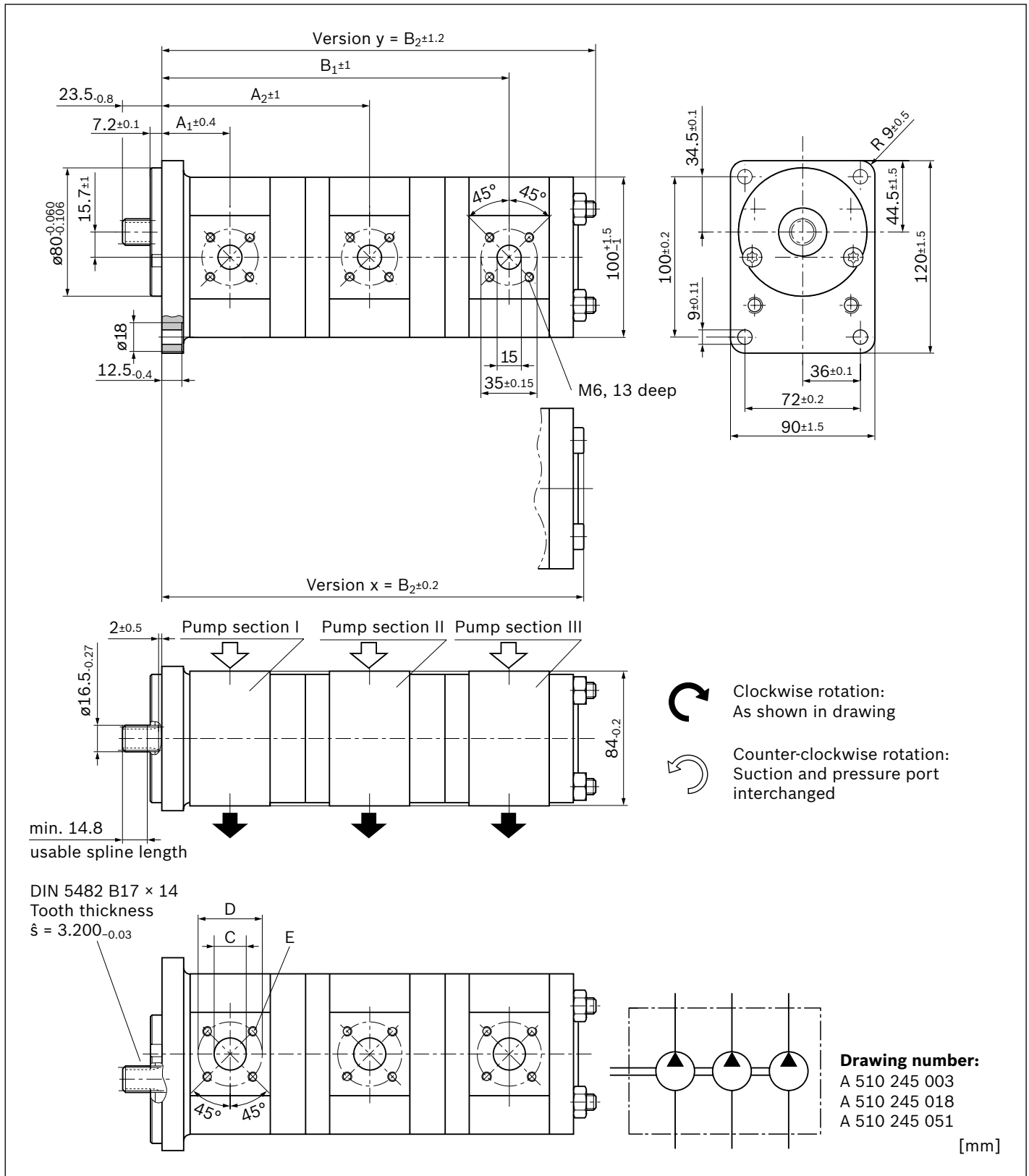
AZPFF – 1X – ... **NL2020KB**



NG	Material number	Maximum pressure intermittend		Maximum speed n_{max} rpm	Weight m kg	Dimensions					
		$p_{2 I}$ bar	$p_{2 II}$ bar			A_1 mm	A_2 mm	B mm	C mm	D mm	E
P_I	P_{II}	Direction of rotation counter-clockwise	clockwise								
5	5			4000	4.65	38.6	122.8	169.2	15	40	
11	11		0 510 565 043	3500	5.2	44.5	137.5	187.4	20	40	M6; 13 mm deep
16	8			3000	5.2	45	142.4	188.4	20	40	
16	22		0 510 665 068	2500	6.17	45	160.3	226.6	20	40	

Splined shaft (DIN 5482 B17 x 14) with rectangular flange Ø80 mm

AZPFFF – 1X – ... **FB202020MB**

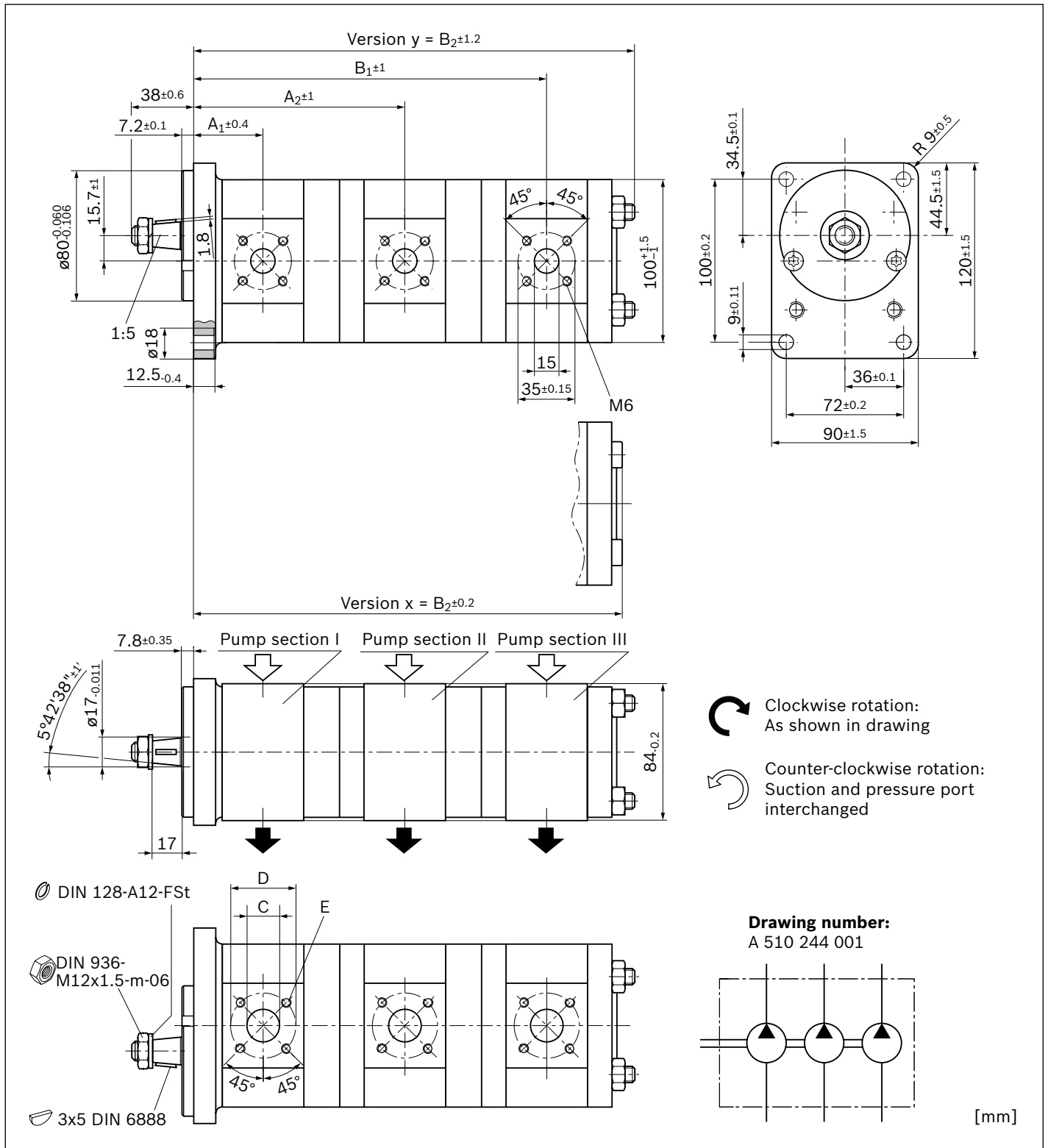


NG			Material number	Maximum pressure intermittent			Maximum speed	Weight	Dimensions						Version		
P _I	P _{II}	P _{III}	Direction of rotation		P _{2 I}	P _{2 II}	P _{2 III}	n _{max}	m	A ₁	A ₂	B ₁	B ₂	C	D	E	
			counter-clockwise	clockwise	bar	bar	bar	rpm	kg	mm	mm	mm	mm	mm	mm		
8	8	4		0 510 465 019	280	280	280	4000	7	43.2	131.5	216.5	260.8	20 ¹⁾	40		x
11	4	4			280	280	280	3500	6.9	47	133.2	214.9	259	20 ¹⁾	40		y
14	4	8	0 510 565 408		280	280	280	3000	7.2	47.5	138.2	223.2	270.6	20 ¹⁾	40		
14	8	8			280	280	280	3000	7.3	47.5	141.5	229.8	275.9	20	40		
16	4	4	0 510 665 379		280	280	280	3000	7.2	47.5	141.6	223.3	267.4	20 ¹⁾	40		
16	5.5	5.5		0 510 665 061	280	280	280	3000	7.4	47.5	142.8	227	272.4	20 ¹⁾	40		
16	11	4			280	210	210	3000	7.5	47.5	148.7	234.9	276.5	20 ¹⁾	40		x
16	11	5.5			280	210	120	3000	7.6	47.5	148.7	236.1	280.2	20 ¹⁾	40		
16	16	11	0 510 665 371		280	120	120	3000	8.1	47.5	149.2	250.4	302.5	20	40		
19	8	5.5		0 510 665 111	230	250	160	3000	7.5	47.5	149.2	236.1	280.2	20 ¹⁾	40		
19	11	5.5			230	230	230	3000	7.6	47.5	153.7	241.1	285.2	20 ¹⁾	40		
19	16	4			230	190	190	3000	7.8	47.5	154.2	248.3	297.5	20 ¹⁾	40		y

¹⁾ At pump section with size 4 and 5: C = 15 mm

Tapered shaft 1:5 with rectangular flange Ø80 mm

AZPFFF – 1X – ... **CB202020MB**

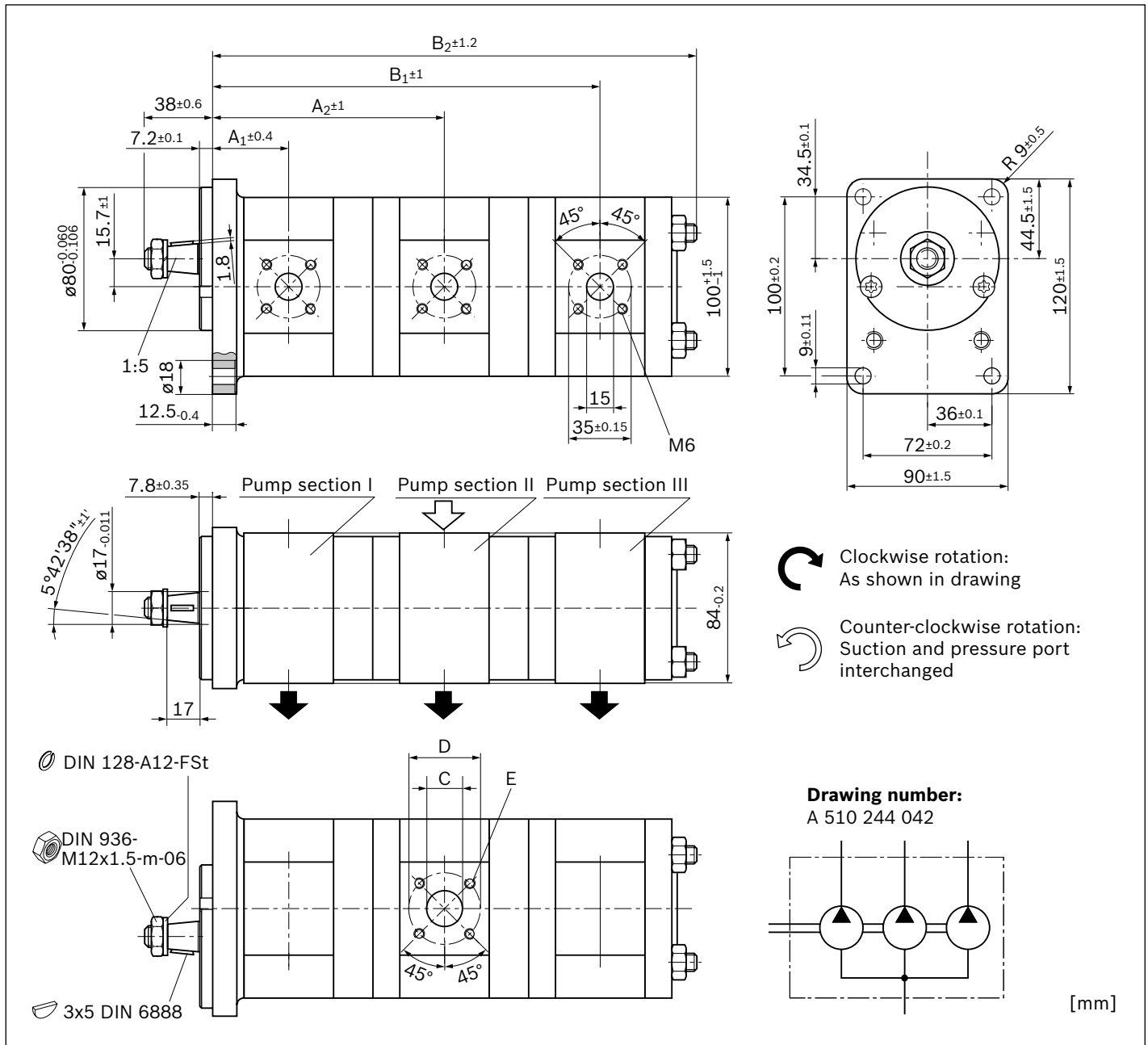


NG			Material number	Maximum pressure intermittend			Maximum speed	Weight	Dimensions							Version	
P _I	P _{II}	P _{III}		P _{2 I}	P _{2 II}	P _{2 III}	n _{max}		m	A ₁	A ₂	B ₁	B ₂	C	D		E
			Direction of rotation		bar	bar	bar	rpm	kg	mm	mm	mm	mm	mm	mm		
			counter-clockwise	clockwise													
8	8	4	0 510 465 027		280	280	280	4000	7	43.2	131.5	216.5	260.6	20 ¹⁾	40		
11	8	8	0 510 565 081		280	230	230	3500	7.2	47	136.5	224.8	272.2	20	40	M6; 13 mm deep	
16	4	4			280	280	280	3000	7.1	47.5	141.6	223.3	267.4	20 ¹⁾	40		x
16	8	4	0 510 665 134		280	280	280	3000	7.3	47.5	144.9	229.9	272.7	20 ¹⁾	40		y
22	8	9			230	210	210	3000	8.15	61.6	167.3	255.6	307.5	20	40		

¹⁾ At pump section with size 4 and 5: C = 15 mm

Tapered shaft 1:5 with rectangular flange $\varnothing 80$ mm, common suction port

AZPFFF – 11 – ... **CB202020MB** – S0053



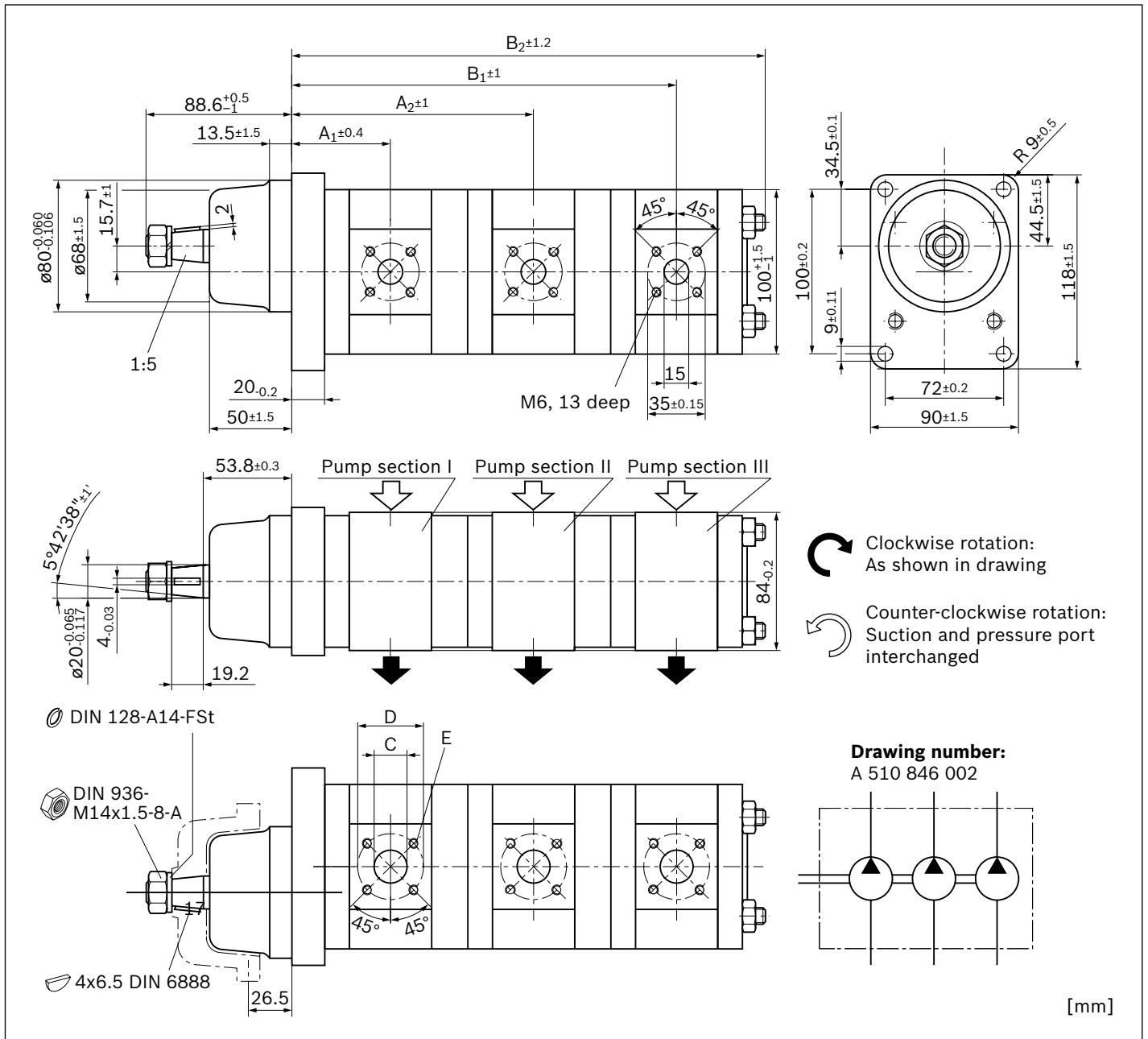
NG		Material number	Maximum pressure intermittend			Maximum speed n_{max} rpm	Weight m kg	Dimensions							
P_I	P_{II}		P_{2I}	P_{2II}	P_{2III}			A_1	A_2	B_1	B_2	C	D	E	
			Direction of rotation clockwise												
8	8	5	0 510 465 031	230	230	230	4000	6.5	43.2	119.5	193.7	238.1	20 ²⁾	40	M6; 13 mm deep
11	11	8	0 510 565 065	230	230	230	3500	6.8	47	128.3	205.8	251.9	20	40	
11	11	8	0 510 565 080 ¹⁾	280	280	280	3500	6.8	47	128.3	205.8	251.9	20	40	

¹⁾ Reinforced through drive (Type code...- S0054)

²⁾ At pump section with size 4 and 5: C = 15 mm

Tapered shaft 1:5 with outrigger bearing $\varnothing 80$ mm, type 2

AZPFFF – 1X – ... **SG202020MB**

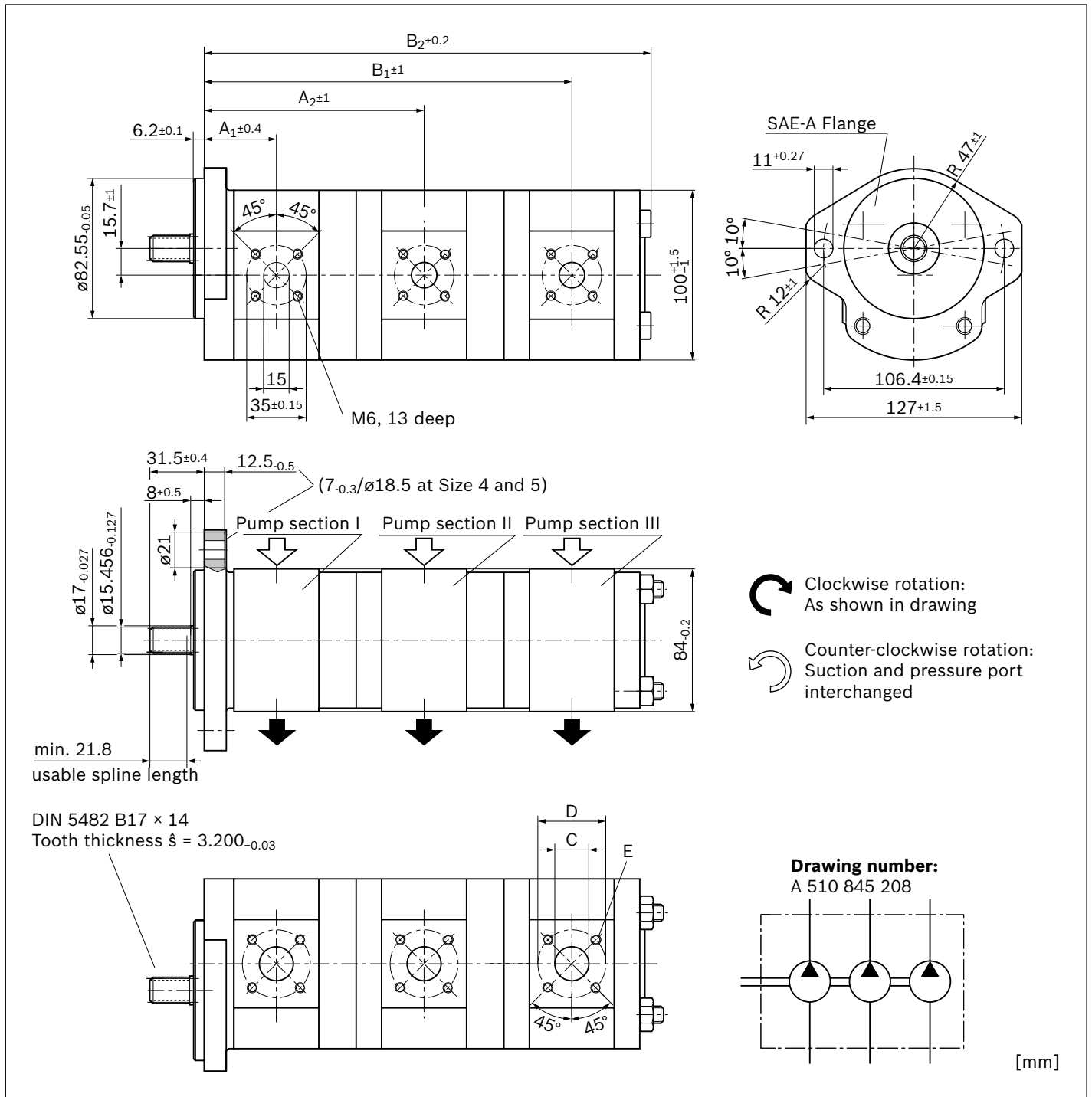


NG			Material number	Maximum pressure intermittend			Maximum speed	Weight	Dimensions						
P_I	P_{II}	P_{III}	Direction of rotation	p_{2I}	p_{2II}	p_{2III}	n_{max}	m	A_1	A_2	B_1	B_2	C ¹⁾	D	E
			clockwise	bar	bar	bar	rpm	kg	mm	mm	mm	mm	mm	mm	mm
8	8	5	0 510 455 004	280	250	250	4000	7.4	60.7	149	235.2	284	20	40	M6; 13 mm deep
14	14	5		280	210	210	3000	7.9	65	163.3	255.3	304	20	40	

¹⁾ At pump section with size 4 and 5: C = 15 mm

Splined shaft (SAE J744 16-4 9T) with 2-bolt flange Ø82.55 mm

AZPFFF – 1X – ... **RR202020MB**



NG	Material number	Maximum pressure intermittend			Maximum speed	Weight	Dimensions								
		P_{I}	P_{II}	P_{III}			$P_{2 I}$	$P_{2 II}$	$P_{2 III}$	n_{max}	m	A_1	A_2	B_1	B_2
8	5,5	5,5	0 510 465 025	280	280	280	4000	7	43.2	129.4	213.6	257.7	20	40	M6; 13 mm deep

¹⁾ At pump section with size 4 and 5: $C = 15$ mm

Project planning information

Technical data

All mentioned technical data are dependent on manufacturing tolerances and are applicable for certain boundary conditions.

Note that certain deviations are therefore possible and that technical data may vary when certain boundary conditions (e.g., viscosity) change.

Characteristic curves

When dimensioning the gear pump, observe the maximum possible application data on the basis of the characteristic curves shown.

Filtration of the hydraulic fluid

Since the majority of premature failures in gear pumps occur due to contaminated hydraulic fluid, filtration should maintain a cleanliness level of 20/18/15 as defined by ISO 4406. Thus contamination can be reduced to an acceptable degree in terms of particle size and concentration.

Bosch Rexroth generally recommends full-flow filtration.

The basic contamination of the hydraulic fluid filled in should not exceed class 20/18/15 as defined by ISO 4406. New fluids are often above this value. In such instances, a filling device with a special filter should be used.

Bosch Rexroth is not liable for wear due to contamination.

Further information

Installation drawings and dimensions are valid at date of publication, subject to modifications.

Further information and notes on project planning can be found in the "General Operating Instructions for External Gear Units" (07012-B, chapter 5.5).

Pumps delivered by Bosch Rexroth are tested for function and performance.

The pump may only be operated with the permissible data (see chapter "Technical data").

For hydraulic systems or devices with function-related, critical failure effects, such as steering and brake valves, the type of filtration selected must be adapted to the sensitivity of these devices.

Notice

When used as an auxiliary steering pump, the vehicle manufacturer should make sure that the steering system continues to operate safely as per ECE R-79 even if the auxiliary steering pump fails.

Information

AZ configurator

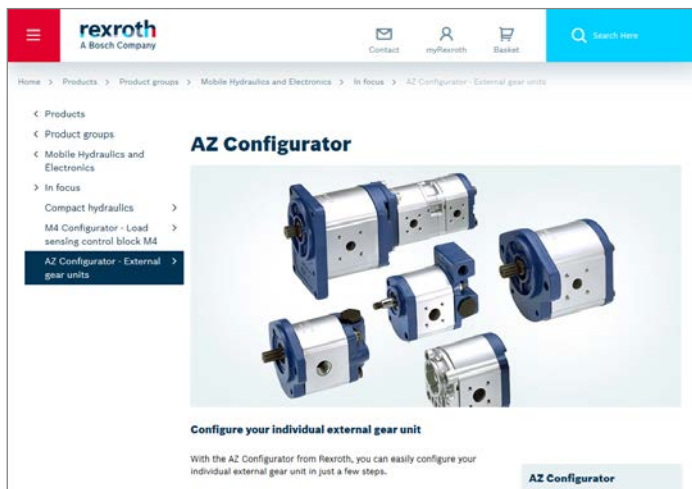
With our practical product selector, it will take you next to no time to find the right solution for your applications, no matter whether it is SILENCE PLUS or another external gear unit.

The selector guides you through a selection of features to all of the products available for order. By clicking on the order number, you can view and download the following product information: Data sheet, dimension sheet, operating conditions, and tightening torques.

You can order your selection directly via our online shop and at the same time benefit from an additional discount of 2%. And if you need something really quickly, simply use our fast delivery and preferred programs (GoTo). Then the goods will be sent within 10 working days.

You also have the possibility to easily and conveniently configure your individual external gear unit with our AZ configurator. All the necessary data that you need for the project planning of external gear units is requested by means of the menu navigation.

For an already existing configuration you receive as a result the order number, the type code, as well as further information. If your configuration does not lead to a product that is available for order, our online tools provide you with the possibility of sending a project request directly to Bosch Rexroth. We will then get in contact with you. Link: www.boschrexroth.com/az-configurator



Spare parts

Spare parts can be found online at www.boschrexroth.com/eshop

Select "Spare parts and accessories" and enter the material number of the external gear units into the search field.

Example:

Material number: **0 510 225 306**

Type designation: AZPF-11-004LCB20MB

All available spare parts are listed under "Spare parts" and can be ordered via the shopping basket..

▼ Spare components

Material number	Designation	
0510225306	HYDRAULIC GEAR PUMP AZPF-11-004LCB20MB	🛒

▼ Spare parts

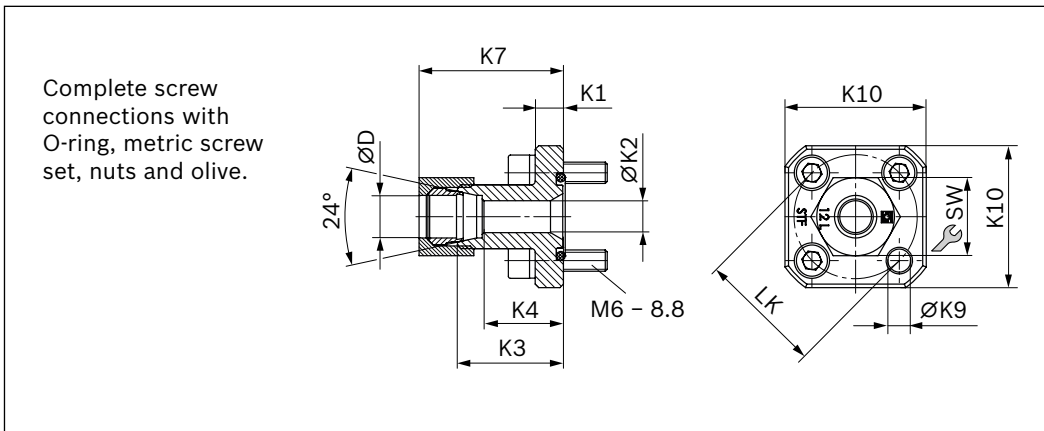
Pos.	Material number	Designation	Quantity
1		PUMP HOUSING	1
2		BEARING COVER	1
3	1510283008	SHAFT SEALING RING SHAFT SEALING RING 30X17X7-SL- NBR-82	1
5	2916660012	RETAINING RING RETAINING RING DIN472-30X1,2	1
7		SEALING COVER	1

Further information

- ▶ Extensive notes and suggestions can be found in the Hydraulic Trainer, volume 3: "Planning and Design of Hydraulic Power Systems", order number R900018547.

Accessories

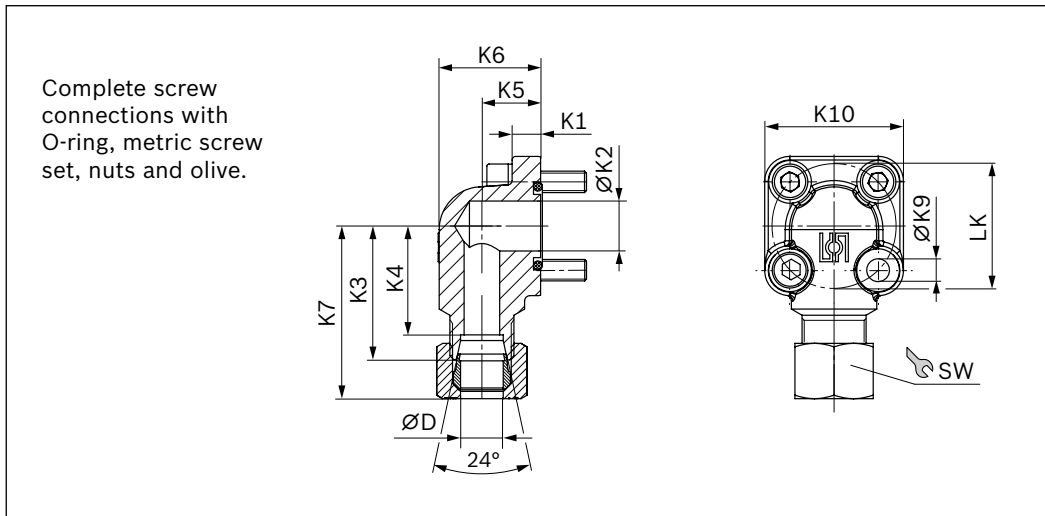
Straight flange, for square flange 20



LK	D	Series ¹⁾	Material number	p _{max}	K1	K2	K3	K4	K7	K9	K10	SW	Screws	O-ring	Weight
mm	mm			bar	mm	mm	mm	mm	mm	mm	mm	mm	4 ×	NBR	kg
35	10	L	1 515 702 064	315	8	7	30	23	38	6.5	40	19	M6 × 22	20 × 2.5	0.13
35	12	L	1 515 702 065	315	8	9	30	23	38.5	6.5	40	22	M6 × 22	20 × 2.5	0.14
35	15	L	1 515 702 066	250	8	11	30	23	39	6.5	40	27	M6 × 22	20 × 2.5	0.15
40	15	L	1 515 702 067	100	8	11	35	28	44	6.5	40	27	M6 × 22	26 × 2.5	0.16
40	18	L	1 515 702 068	100	8	14	35	27.5	44	6.5	40	32	M6 × 22	26 × 2.5	0.17
40	22	L	1 515 702 069	100	8	18	35	27.5	45	6.5	40	36	M6 × 22	26 × 2.5	0.16
40	28	L	1 515 702 008	100	8	19	35	27.5	45	6.5	40	41	M6 × 22	26 × 2.5	0.18

¹⁾ See DIN EN ISO 8434-1

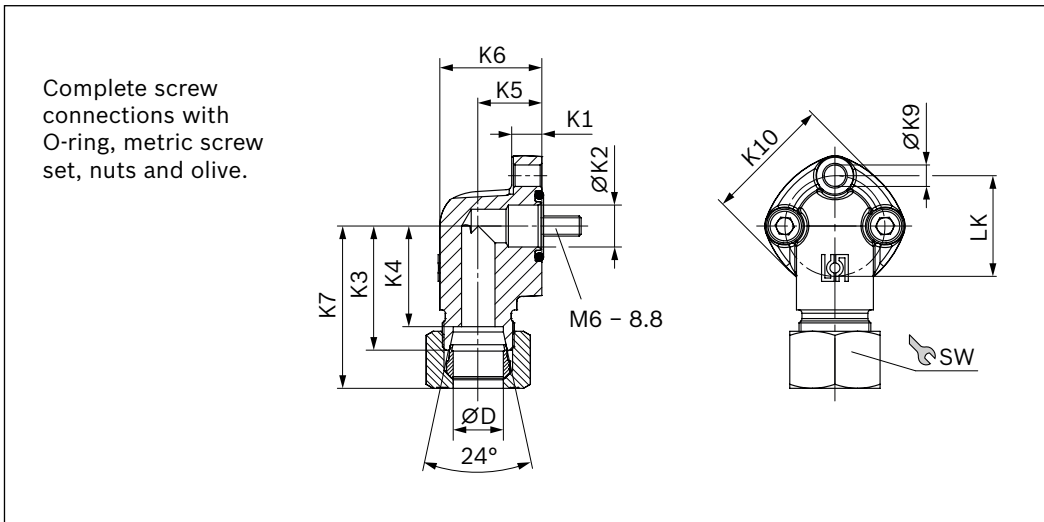
90° angle flange, for square flange 20



LK	D	Series ¹⁾	Material number	p_{max}	K1	K2	K3	K4	K5	K6	K7	K9	K10	SW	Screws		O-ring	Weight
mm	mm			bar	mm	mm	mm	mm	mm	mm	mm	mm	mm	mm	2 ×	2 ×	NBR	kg
35	10	L	1 515 702 070	315	8	14	37,5	30,5	16,5	28,5	45	6,4	39	19	M6 × 22	M6 × 35	20 × 2.5	0,18
35	12	L	1 515 702 071	315	8	14	37,5	30,5	16,5	28,5	46	6,4	39	22	M6 × 22	M6 × 35	20 × 2.5	0,19
35	15	L	1 515 702 072	250	8	14	37,5	30,5	16,5	28,5	46	6,4	39	27	M6 × 22	M6 × 35	20 × 2.5	0,2
35	16	S	1 515 702 002	315	8	15	38	29,5	20	33	49	6,4	39	30	M6 × 22	M6 × 40	20 × 2.5	0,25
35	18	L	1 515 702 006	250	8	15	37,5	30	20	33	47	6,4	39	32	M6 × 22	M6 × 40	20 × 2.5	0,22
35	20	S	1 515 702 017	315	8	15	45	34,5	25	38	57	6,4	39	36	M6 × 22	M6 × 45	20 × 2.5	0,3
40	15	L	1 515 702 073	100	9	20	38	31	22,5	38	47	6,4	42	27	M6 × 22	M6 × 22	26 × 2.5	0,26
40	18	L	1 515 702 074	100	9	20	38	30,5	22,5	38	47,5	6,4	42	32	M6 × 22	M6 × 22	26 × 2.5	0,27
40	20	S	1 515 702 011	250	9	20	40	29,5	22,5	37	52	6,4	42	36	M6 × 22	M6 × 45	26 × 2.5	0,26
40	22	L	1 515 702 075	100	9	20	38	30,5	22,5	38	48	6,4	42	36	M6 × 22	M6 × 22	26 × 2.5	0,27
40	28	L	1 515 702 010	100	9	20	40	32,5	28	44	50,5	6,4	42	41	M6 × 22	M6 × 50	26 × 2.5	0,37
40	35	L	1 515 702 018	100	9	20	41	30,5	34	53	53	6,4	42	50	M6 × 22	M6 × 60	26 × 2.5	0,41
55	20	S	1 515 702 004	250	13	18,2	45	34,5	24	38	57	8,4	58	36	M8 × 25	M8 × 50	32 × 2.5	0,62
55	30	S	1 515 702 006	250	12	26,5	49	38,5	32	51	63,5	8,4	58	50	M8 × 25	M8 × 50	32 × 2.5	0,63
55	35	L	1 515 702 005	100	12	26,5	49	38,5	32	52	61	8,4	58	50	M8 × 25	M8 × 60	32 × 2.5	0,77
55	42	L	1 515 702 019	100	12	26,5	49	38	40	64	61,5	8,4	58	60	M8 × 25	M8 × 70	32 × 2.5	1,04

¹⁾ See DIN EN ISO 8434-1

90° angle flange, 3-hole, for square flange 30



LK	D	Series ¹⁾	Material number	p_{max}	K1	K2	K3	K4	K5	K6	K7	K9	K10	SW	Screws	O-ring	Weight
mm	mm			bar	mm	mm	mm	mm	mm	mm	mm	mm	mm	mm	3 ×	NBR	kg
30	12	L	1 515 702 146	250	9	12.5	37	30	19	30.5	46	6.4	38	22	M6 × 25	16 × 2.5	0.18
30	15	L	1 515 702 147	250	9	12.5	37	30	19	30.5	45.5	6.4	38	27	M6 × 25	16 × 2.5	0.2
40	22	L	1 515 702 149	160	13.5	19	43	35.5	25	41	53	8.4	48	36	M8 × 30	24 × 2.5	0.4
40	28	L	1 515 702 150	160	13.5	19	43	35.5	25	41	53.5	8.4	48	41	M8 × 30	24 × 2.5	0.36

¹⁾ See DIN EN ISO 8434-1

Note

Permissible tightening torques can be found in the “General Operating Instructions for External Gear Units” (07012-B).

Bosch Rexroth AG

Robert-Bosch-Straße 2
71701 Schwieberdingen
Germany
brm-az.info@boschrexrot
www.boschrexroth.com

© Bosch Rexroth AG 2020. All rights reserved, also regarding any disposal, exploitation, reproduction, editing, distribution, as well as in the event of applications for industrial property rights. The data specified within only serves to describe the product. No statements concerning a certain condition or suitability for a certain application can be derived from our information. The information given does not release the user from the obligation of own judgment and verification. It must be remembered that our products are subject to a natural process of wear and aging.